

**CARBON STEEL
VALVE BODIES & TEFLON LINER**

ANSI 150# PRESSURE RATED
350 Deg F Rating
At 200 PSI



**HIGH PERFORMANCE
AUTOMATED BUTTERFLY VALVES**

YEAR 2014
YEAR 2015

FOR HIGH PRESSURE STEAM AND WATER
150# CLASS (ANSI RATED) (285# STATIC PRESS RATED)

AVAILABLE ACTUATORS

**Johnson Controls
Honeywell**



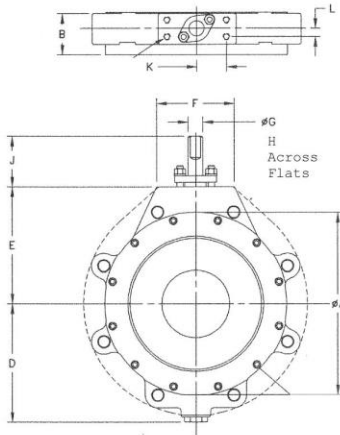
SIEMENS



150 # Valve Body Dimensions												Lug Data		
SIZE	A	B	C	D	E	F	G	H	J	K	L	Bolt Cir	Holes	Threads
2.5"	4.75	1.88	2.28	3.81	4.29	3.81	.63	.43	3.34	1.56	.38	5.50	4	.62-11
3"	5.25	1.88	2.86	4.09	4.54	3.81	.63	.43	3.34	1.56	.38	6.00	4	.62-11
4"	6.72	2.03	3.72	4.71	5.41	3.81	.63	.43	3.34	1.56	.38	7.50	8	.62-11
5"	7.62	2.23	4.80	5.07	5.12	4.32	.75	.51	3.63	1.75	.50	8.50	8	.75-10
6"	8.62	2.23	5.88	5.57	5.62	4.32	.75	.51	3.63	1.75	.50	9.50	8	.75-10
8"	10.81	2.40	7.80	6.94	7.12	4.58	.87	.63	3.63	1.75	.50	11.75	8	.75-10
10"	13.06	2.75	9.78	8.56	8.47	5.50	1.18	.87	4.28	2.19	.56	14.25	12	.88-9
12"	15.50	3.08	11.47	10.18	9.97	5.50	1.18	.87	4.28	2.19	.56	17.00	12	.88-9

**STANDARD VALVE
BODY FEATURES**

- Teflon Liner (RTFE)
- Stainless Steel Disc
- Carbon Steel Body
- Stainless steel shaft
- Full Threaded Lug

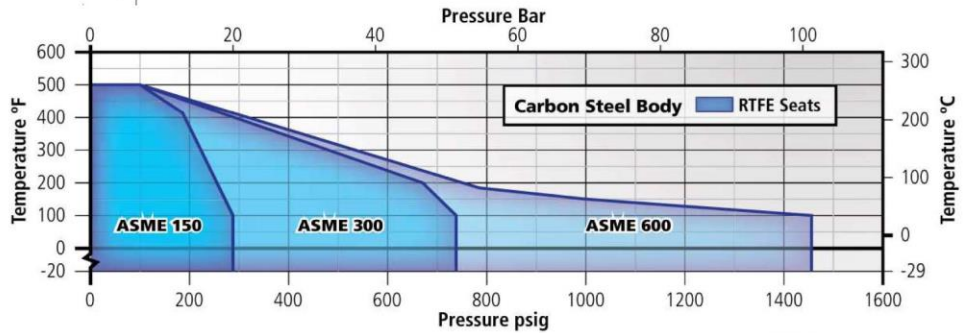


SIZE	CV VALUES							
2.5"	160	100	78	50	30	16	8	3
3"	185	155	123	87	56	32	14	5
4"	375	315	250	175	115	63	31	10
5"	790	500	360	238	146	78	41	16
6"	1,350	750	510	330	218	140	81	35
8"	2,800	1,590	1,060	685	456	280	165	65
10"	4,300	2,430	1,630	1,050	700	450	250	100
12"	6,650	3,750	2,530	1,630	1,080	700	390	155

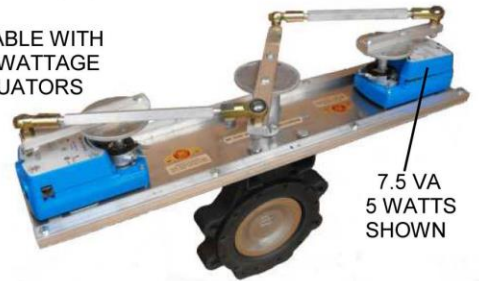


LEGEND

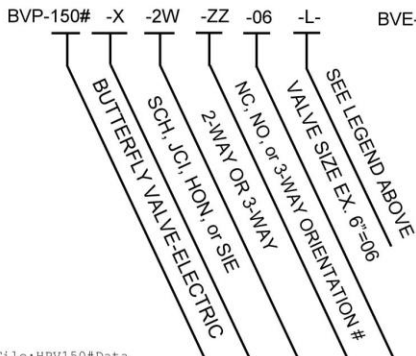
- SR = Electric Spring Ret.
- HP = Chiller Head Press Actuator
- PP = Positive Positioner
- BS = Bump Switch
- WP = Weatherproof
- SS = Stainless Steel Rod Ends & Bolts
- B = Bray K = Keystone



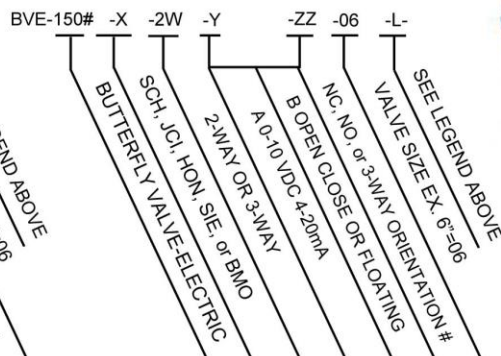
AVAILABLE WITH
LOW WATTAGE
ACTUATORS



**Pneumatic Actuator Valve
Assembly Part Number**



**Electric Actuator Valve
Assembly Part Number**



WESLEY VALVE CO.

MFGRS OF AUTOMATED BUTTERFLY VALVES
4938 S. Atlanta Rd., Ste. 100
Atlanta, GA 30339
PHN: (404) 351-8744 FAX: (404) 351-9340
www.wesleyvalve.com

**CARBON STEEL
VALVE BODIES & TEFLON LINER**

ANSI 300# PRESSURE RATED
350 Deg F Rating
At 350 PSI



**HIGH PERFORMANCE
AUTOMATED BUTTERFLY VALVES**

YEAR 2014
YEAR 2015

FOR HIGH PRESSURE STEAM AND WATER
300# CLASS (ANSI RATED) (740# STATIC PRESS RATED)

AVAILABLE ACTUATORS

**Johnson Controls
Honeywell**



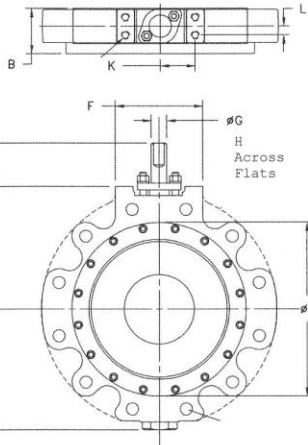
SIEMENS



300 # Valve Body Dimensions												Lug Data		
SIZE	A	B	C	D	E	F	G	H	J	K	L	Bolt Cir	Holes	Threads
2.5"	4.75	1.88	2.28	3.81	4.29	3.81	.63	.43	3.34	1.56	.38	5.88	8	.75-10
3"	5.25	1.88	2.86	4.09	4.54	3.81	.63	.43	3.34	1.56	.38	6.63	8	.75-10
4"	6.72	2.03	3.72	4.71	5.41	3.81	.63	.43	3.34	1.56	.38	7.88	8	.75-10
5"	8.25	2.23	4.80	5.13	5.62	4.32	.75	.51	3.63	1.75	.50	9.25	8	.75-10
6"	8.88	2.42	5.75	6.25	6.37	4.25	.87	.63	3.63	1.75	.50	10.62	12	.75-10
8"	10.94	2.82	7.56	7.55	7.72	5.50	1.18	.87	4.28	2.19	.56	13.00	12	.88-9
10"	13.26	3.28	9.44	9.36	9.10	5.50	1.38	.39	4.28	2.19	.56	15.25	16	1-8
12"	15.57	3.62	11.31	10.89	13.00	7.75	1.38	.39	2.50	3.13	.69	17.75	16	1.13-8UN

**STANDARD VALVE
BODY FEATURES**

- Teflon Liner (RTFE)
- Stainless Steel Disc
- Carbon Steel Body
- Stainless steel shaft
- Full Threaded Lug

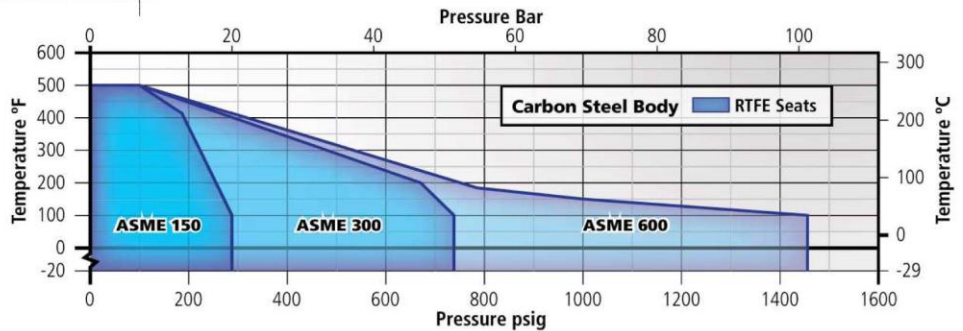


SIZE	CV VALUES							
2.5"	160	100	78	50	30	16	8	3
3"	185	155	123	87	56	32	14	5
4"	375	315	250	175	115	63	31	10
5"	790	500	360	238	146	78	41	16
6"	1,000	710	530	370	240	138	79	26
8"	2,000	1,360	950	630	405	240	121	47
10"	2,650	1,740	1,200	780	510	295	150	61
12"	4,000	2,500	1,690	1,100	710	430	220	92

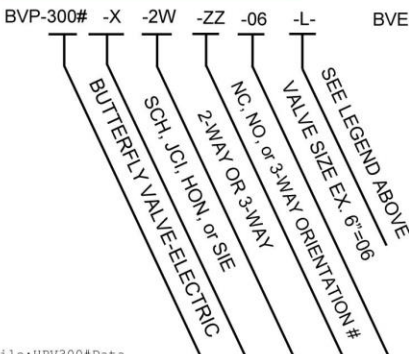


LEGEND

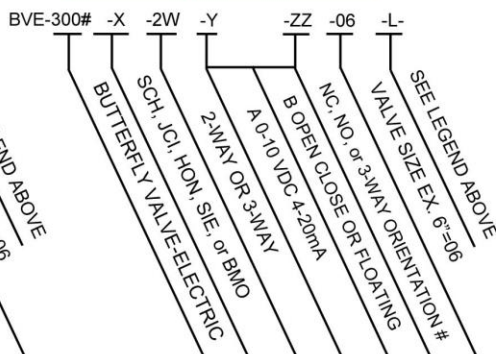
SR = Electric Spring Ret.
HP = Chiller Head Press Actuator
PP = Positive Positioner
BS = Bump Switch
WP = Weatherproof
SS = Stainless Steel Rod Ends & Bolts
B = Bray K = Keystone



**Pneumatic Actuator Valve
Assembly Part Number**



**Electric Actuator Valve
Assembly Part Number**



AVAILABLE WITH
LOW WATTAGE
ACTUATORS



WESLEY VALVE CO.

MFGRS OF AUTOMATED BUTTERFLY VALVES
4938 S. Atlanta Rd., Ste. 100
Atlanta, GA 30339
PHN: (404) 351-8744 FAX: (404) 351-9340
www.wesleyvalve.com

BRAY RECOMMENDED SPECIFICATIONS

Bray/McCannalok HP Valves

Valve Type:

Bray/McCannalok High Performance or equal.

Body:

- Shall be one-piece wafer, lug or double flanged design with extended neck to allow for 2" of piping insulation.
- Flange hole drilling per international flange standard as specified.
- Provided with top and bottom stem bearings consisting of a 316 stainless steel shell with a TFE/glass fabric liner bearing surface.
- Equipped with an externally adjustable stem packing system that allows packing adjustment without removing the actuator.
- Internal over-travel stop shall be provided to prevent over-travel of the disc and minimize possible seat damage.

Disc:

- Disc edge shall be hand polished for minimum torque and maximum sealing capability.

Stem:

- Shall be one-piece design
- Stem shall be provided with blow-out proof stem retention system to assure full retention of the stem in the unlikely event of an internal stem failure.

Seat:

- Design shall consist of a resilient energizer totally encapsulated by the seat.
- Seat retainer shall be full-faced and firmly attached by bolts located outside the sealing area to protect them from corrosion.
- The seat assembly shall be locked in the body recess by the full-faced retainer.
- The seat shall be self-adjusting for wear and temperature changes.
- The seat shall be easily field replaceable.

Testing:

- Valve shall be tested for tight shut-off per API 598 requirements.

Approvals & Certifications:

- CE/PED Certification
- Fire-Test Standard API 607 5th Edition Certified
- NSF/ANSI 61-2008 Certification (Potable Water)
- SIL Certification
- ABS Type Approval
- Bureau Veritas Type Approval
- DNV
- China Classification Society (CCS) Type Approval



Pressure Ratings:

Bi-directional Service

(With downstream flanges and disc in closed position):

All Bray/McCannalok ASME 150 Valves:

- 2 1/2"-60" (65mm-1500mm) 285 psi (20.0 Bar)

All Bray/McCannalok ASME 300 Valves:

- 2 1/2"-54" (65mm-1370mm) 740 psi (50.0 Bar)

All Bray/McCannalok ASME 600 Valves:

- 3"-30" (80mm-750mm) 1480 psi (102.0 Bar)

Dead-End Service

(No downstream flanges and disc in closed position):

All Bray/McCannalok ASME 150 Lug & Double Flange Valves:

- 2 1/2"-60" (65mm-1500mm) 285 psi (20.0 Bar)

All Bray/McCannalok ASME 300 Lug & Double Flanged Valves:

- 2 1/2"-54" (65mm-1370mm) 740 psi (50.0 Bar)

All Bray/McCannalok ASME 600 Lug & Double Flanged Valves:

- 3"-30" (80mm-750mm) 1480 psi (102.0 Bar)