



-NOW AVAILABLE FOR SHIPMENTTHIP-

AUTOMATED BUTTERFLY VALVES WITH BELIMO ACTUATORS

SPRING RETURN VALVE ASSEMBLIES AVAILABLE 2" THROUGH 16"

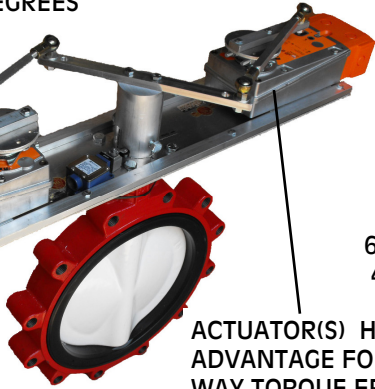
**AMB & GMB NON-SPRING RETURN ACTUATORS
AFB & EFB SPRING RETURN ACTUATORS**

NEMA 2 RATED ACTUATOR HOUSING

ACTUATOR ROTATES
90 DEGREES

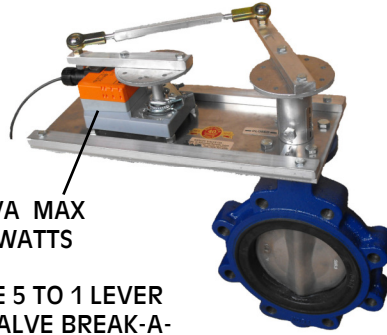
NEMA 4

16 VA MAX
9.5 WATTS



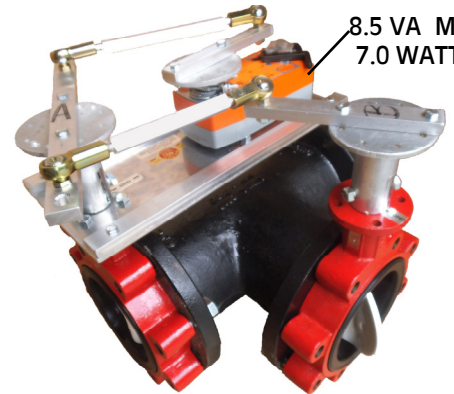
ACTUATOR(S) HAVE 5 TO 1 LEVER
ADVANTAGE FOR VALVE BREAK-A-
WAY TORQUE FROM RUBBER LINER

6.5 VA MAX
4.5 WATTS



3-WAY ASSEMBLIES

8.5 VA MAX
7.0 WATTS



VALVE DISC
ROTATES 70
DEGREES

TIGHT OR PRECISE CONTROL REQUIRES NUMEROUS MODULATING VALVE DISC REPOSITIONS —

**90 TO 60 DEGREE (1.5 TO 1 RATIO) VALVE TURN ASSEMBLY INCREASES
VALVE DISC POSTIONS (RESOLUTIONS) BY 50%**

ADVANTAGE OF SELECTING A VALVE ASSEMBLY WITH BELIMO ACTUATORS

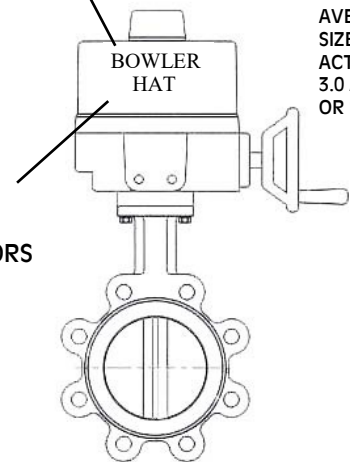
- A.) Valve Assembly at Low Cost
- B.) Superior Modulating Resolution for 0-10 VDC/4-20mA Control Signals
- C.) Minimal Replacement of Actuator During Warranty Period
- D.) 20 Year Life Expectancy

DID YOU KNOW ?

WESLEY VALVE CO. IS THE ONLY SUPPLIER OF AUTOMATED BUTTERFLY VALVE ASSEMBLIES WITH **BELIMO** ACTUATORS LARGER THAN 6" (SIX INCHES)

BUTTERFLY VALVE ASSEMBLIES WITH 1/4 TURN BOWLER HAT TYPE ACTUATORS HAVE A LIMITED AMOUNT OF MODULATING VALVE DISC REPOSITIONS (RESOLUTION) RESULT-ING IN EXCESSIVE VALVE CYCLING, PREMATURE VALVE WEAROUT, AND

REQUIRES ELECTRIC ANTI CONDENSATE HEATER FOR OUTDOORS OR HIGH HUMIDITY



AVERAGE SIZE 120 VAC ACTUATOR 3.0 AMP DRAW OR 215 WATTS

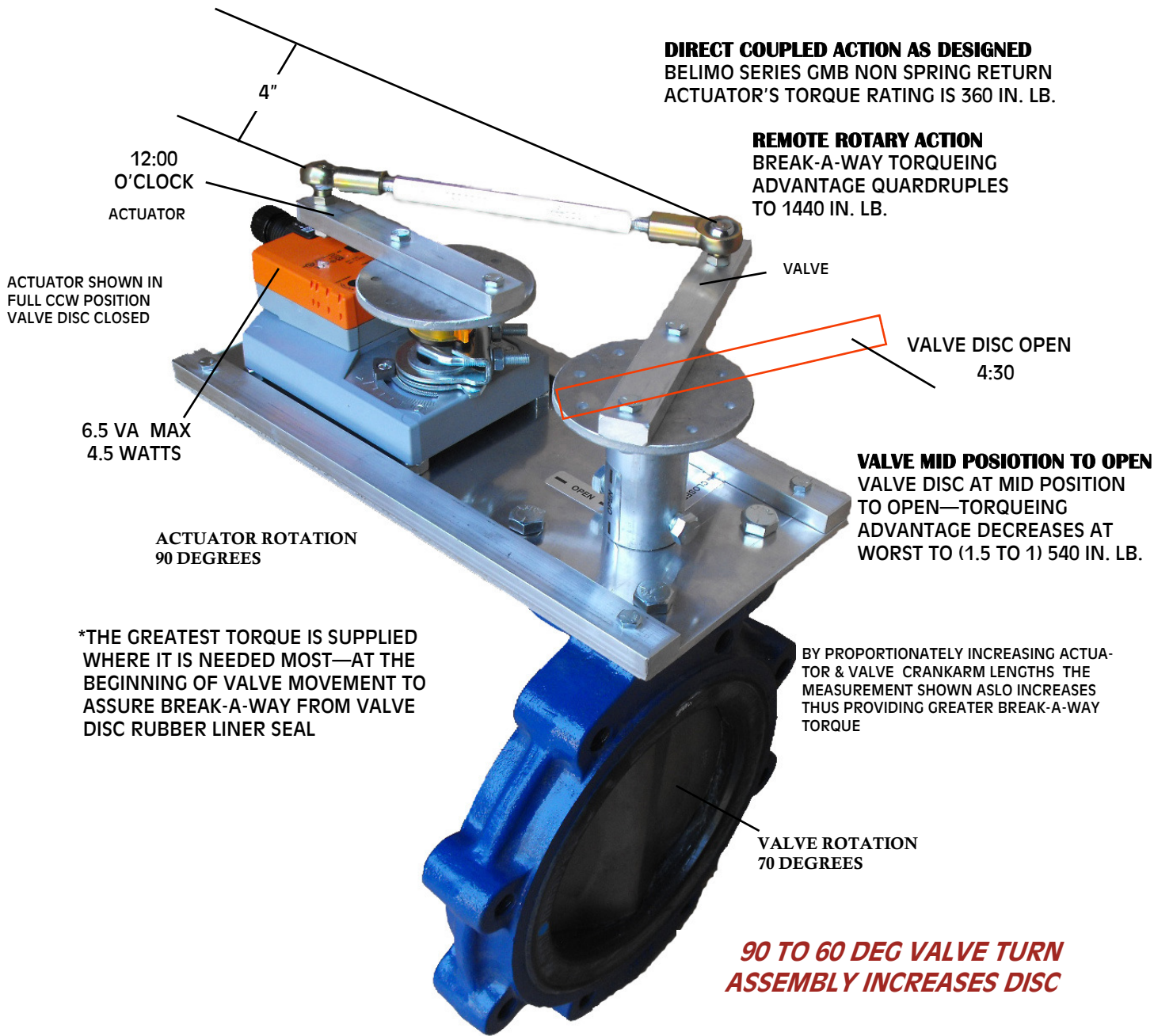
90 DEG 1/4 TURN VALVE ASSEMBLIES WITH BOWLER HAT TYPE ACTUATORS ARE NOT RECOMMENDED WHERE TIGHT & STABLE FLOW CONTROL IS



WESLEY VALVE CO.

MFGRS OF AUTOMATED BUTTERFLY VALVES
3229 North L Street
Pensacola, FL 32505
PHN: (404) 351-8744 FAX: (404) 351-9340
www.wesleyvalve.com

USING LEVER ADVANTAGE TO INCREASE TORQUE AND IMPROVE CONTROL



BUTTERFLY VALVE

AUTOMATED BUTTERFLY VALVES WITH BELIMO ACTUATORS

SPRING RETURN VALVE ASSEMBLIES AVAILABLE 2" THROUGH 16"



WESLEY VALVE CO.

MFGRS OF AUTOMATED BUTTERFLY VALVES
3229 North L Street
Pensacola, FL 32505
PHN: (404) 351-8744 FAX: (404) 351-9340
www.wesleyvalve.com

NOW AVAILABLE 14" & 16" SPRING RETURN VALVE ASSEMBLIES

APPLICATIONS

- A. IDEALLY SUITED FOR CHILLER & COOLING TOWER ISOLATION
- B. COOLING TOWER MODULATING 3-WAY DIVERTING VALVE CONTROL

DIRECT COUPLED ACTION AS DESIGNED

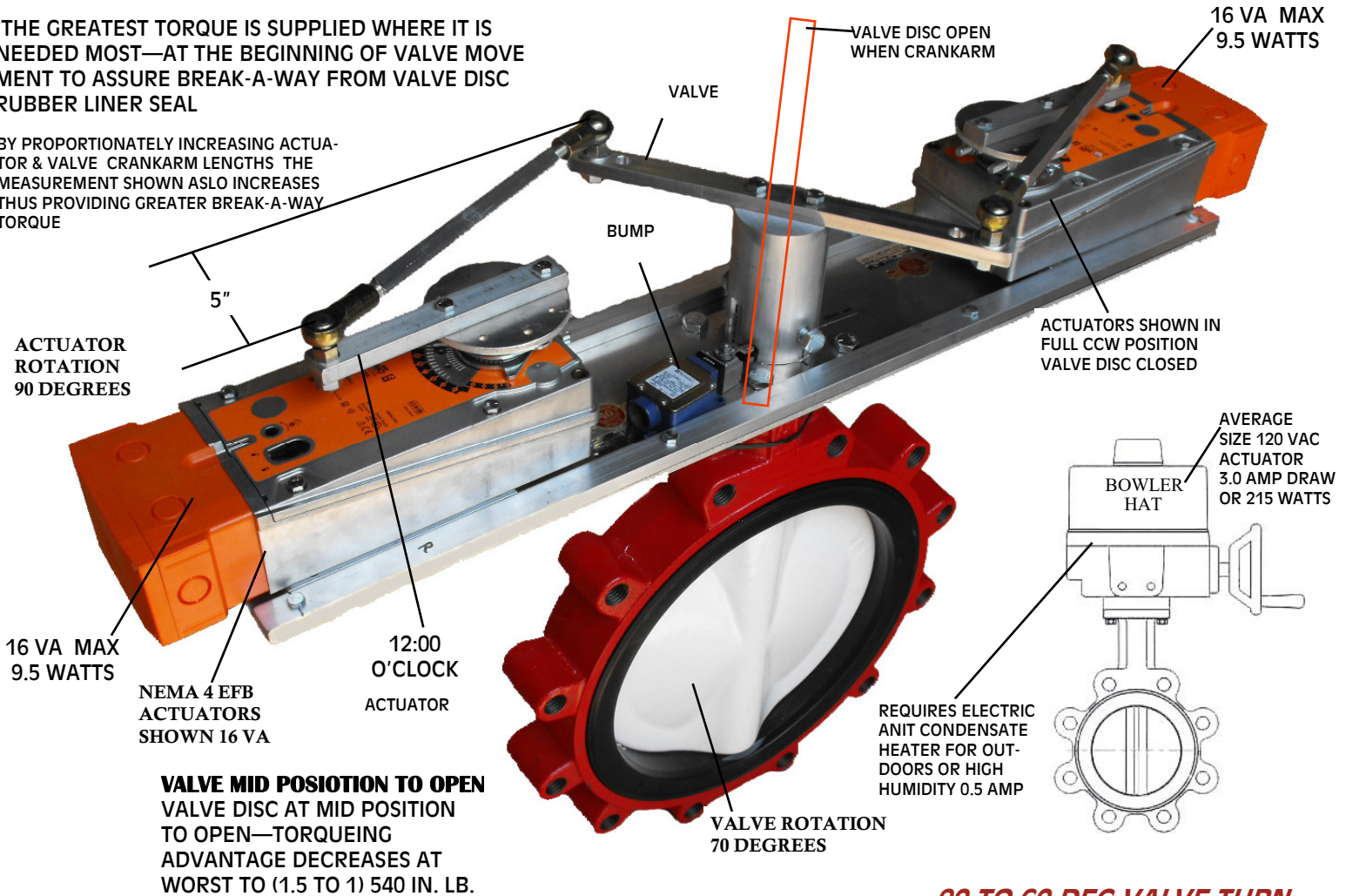
BELIMO SERIES EFB SPRING RETURN ACTUATOR
TORQUE RATING IS 270 IN. LB. DUAL ACTUATOR
TORQUE RATING IS 540 IN. LB.

REMOTE ROTARY ACTION

BREAK-A-WAY TORQUEING IS
5 TIMES GREATER DUE TO THE
LEVER ADVANTAGE OR 2700 IN. LB.

*THE GREATEST TORQUE IS SUPPLIED WHERE IT IS
NEEDED MOST—AT THE BEGINNING OF VALVE MOVE-
MENT TO ASSURE BREAK-A-WAY FROM VALVE DISC
RUBBER LINER SEAL

BY PROPORTIONATELY INCREASING ACTUA-
TOR & VALVE CRANKARM LENGTHS THE
MEASUREMENT SHOWN ASLO INCREASES
THUS PROVIDING GREATER BREAK-A-WAY
TORQUE



**90 TO 60 DEG VALVE TURN
ASSEMBLY INCREASES DISC
REPOSITIONS (RESOLUTION)
BY 50%**

BUTTERFLY VALVE 2-WAY VALVE ASSEMBLY

AUTOMATED BUTTERFLY VALVES WITH BELIMO ACTUATORS

SPRING RETURN VALVE ASSEMBLIES AVAILABLE 2" THROUGH 16"



WESLEY VALVE CO.

MFGRS OF AUTOMATED BUTTERFLY VALVES
3229 North L Street
Pensacola, FL 32505
PHN: (404) 351-8744 FAX: (404) 351-9340
www.wesleyvalve.com