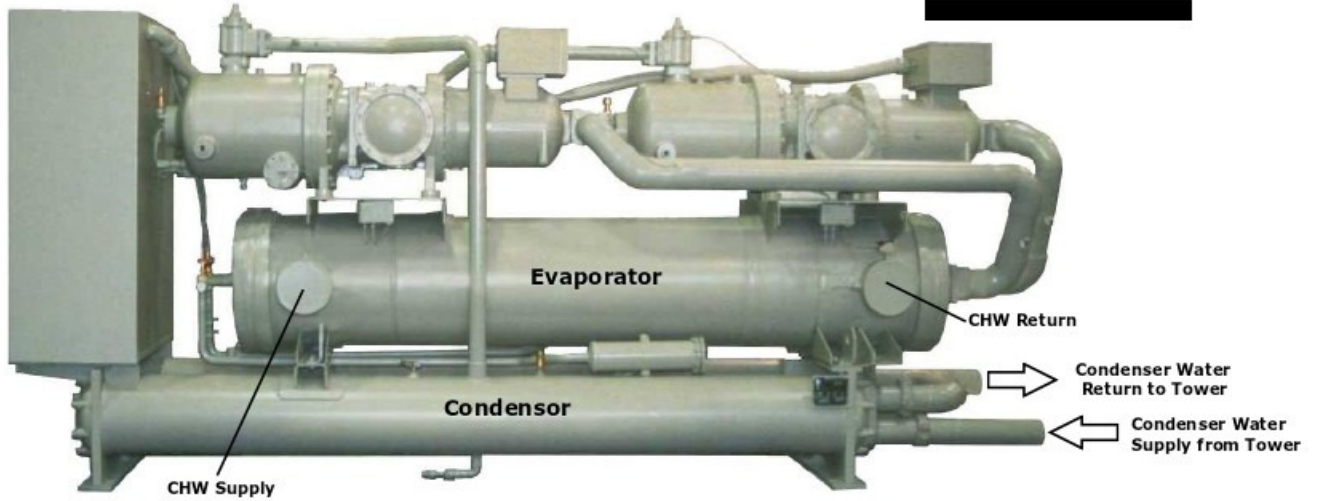
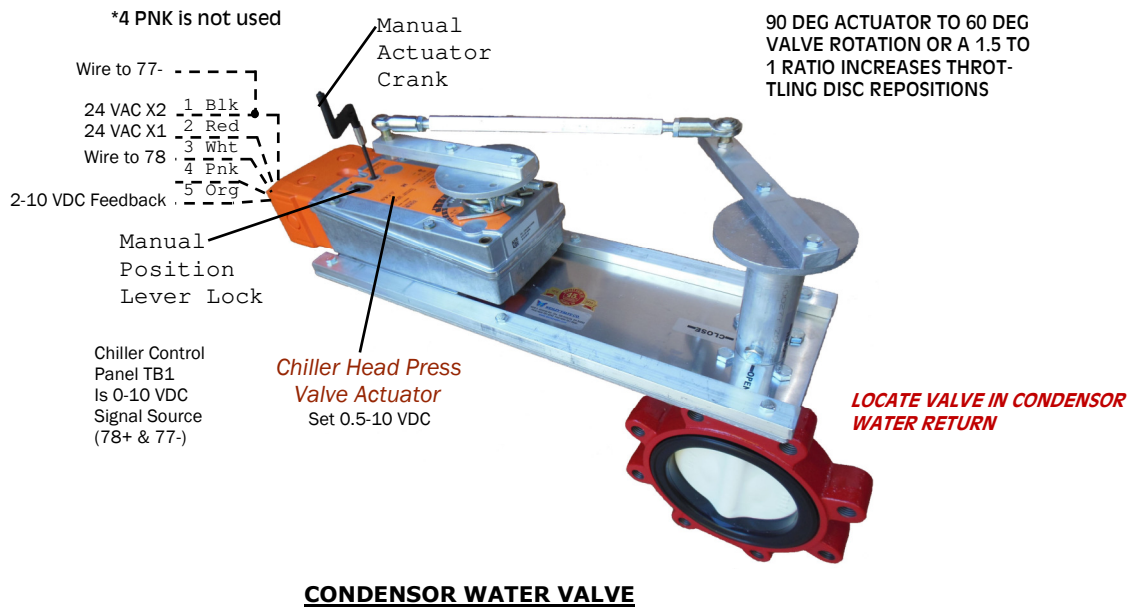


HEAD PRESSURE VALVE WIRING FOR SCREW CHILLERS



Add 500 Ohm Resistor between 1 Blk & 3 Wht for Chiller 4-20 mA Signal

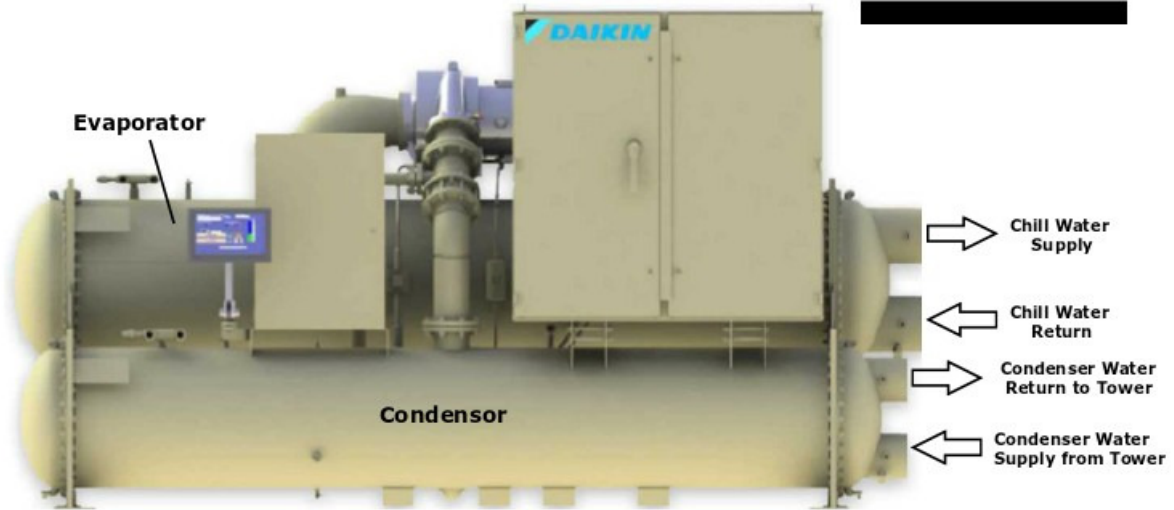
ACTUATOR HAS 4 TO 1 LEVER



WESLEY VALVE CO.

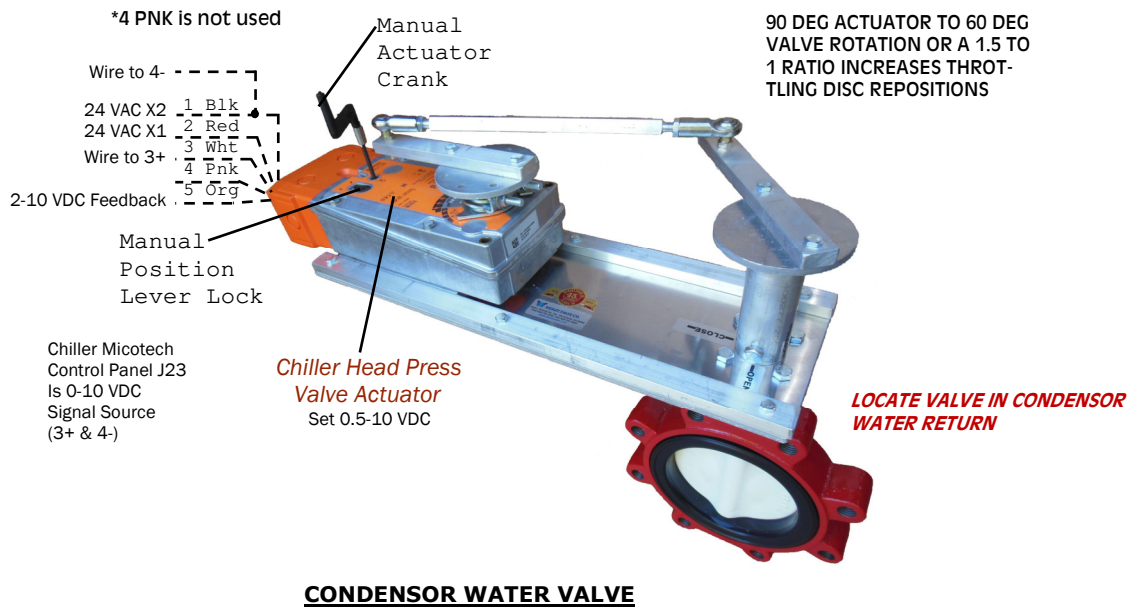
MFGRS OF AUTOMATED BUTTERFLY VALVES
 3229 North L Street
 Pensacola, FL 32505
 PHN: (404) 351-8744 FAX: (404) 351-9340
www.wesleyvalve.com

HEAD PRESSURE VALVE WIRING FOR MAGNITUDE CENTRIFUGAL CHILLERS



Add 500 Ohm Resistor between 1 Blk & 3 Wht for Chiller 4-20 mA Signal

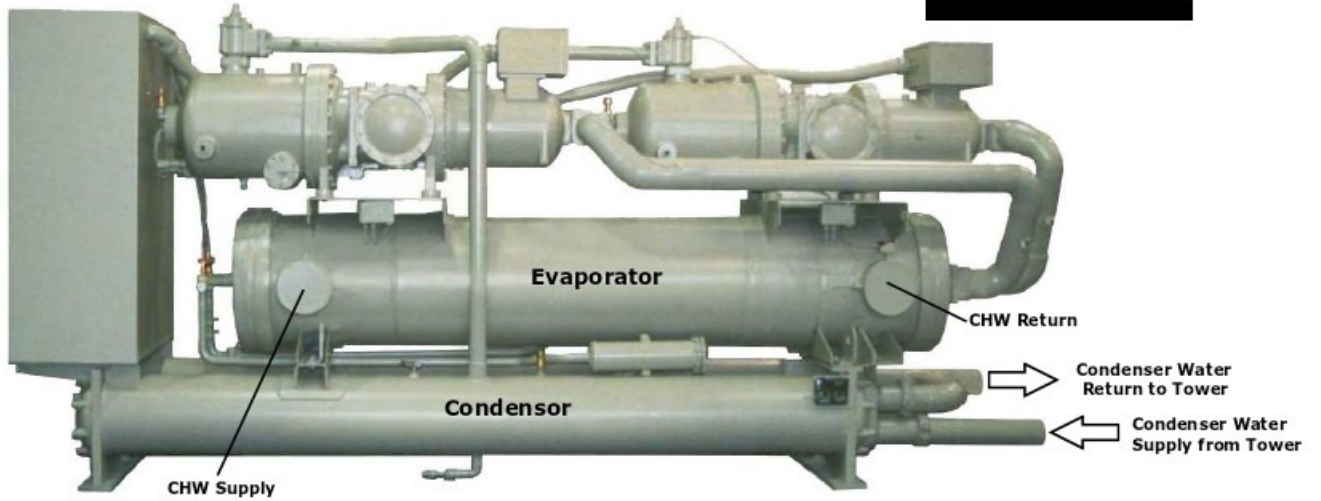
ACTUATOR HAS 4 TO 1 LEVER



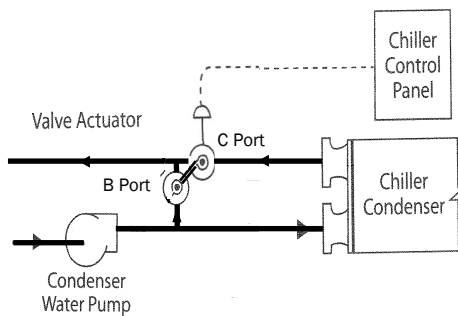
WESLEY VALVE CO.

MFGRS OF AUTOMATED BUTTERFLY VALVES
3229 North L Street
Pensacola, FL 32505
PHN: (404) 351-8744 FAX: (404) 351-9340
www.wesleyvalve.com

HEAD PRESSURE VALVE WIRING FOR SCREW CHILLERS

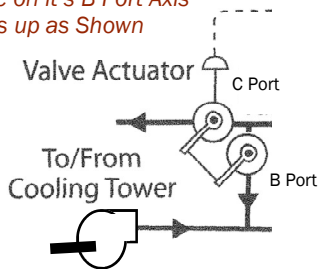


Add 500 Ohm Resistor between 1 Blk & 3 Wht for Chiller 4-20 mA Signal

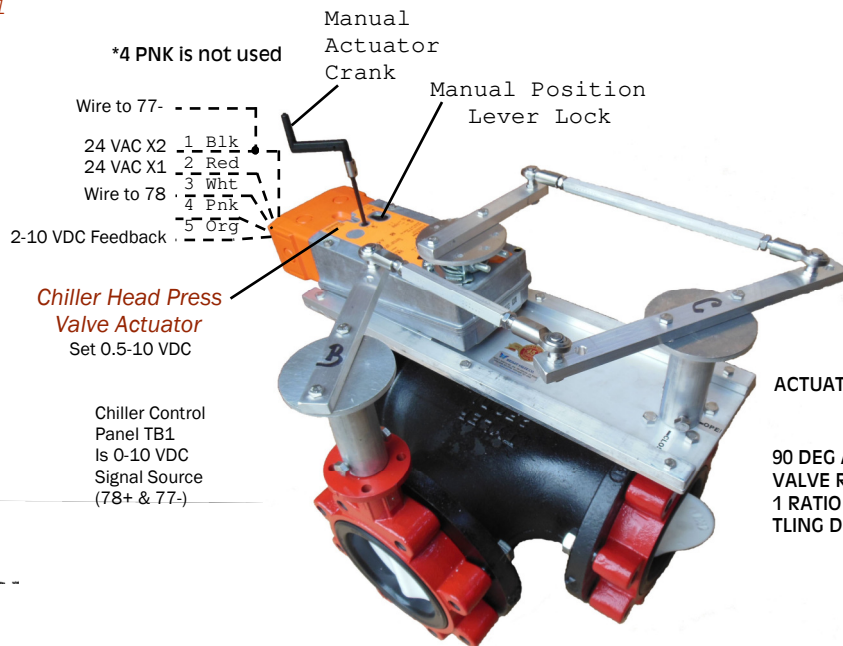


CORRECT 3-WAY VALVE PIPING

During Pipe Installation, DO NOT Spin the Valve on it's B Port Axis so that it ends up as Shown



INCORRECT 3-WAY VALVE PIPING



*4 PNK is not used
 Wire to 77- 1 Blk
 24 VAC X2 2 Red
 24 VAC X1 3 Wht
 Wire to 78 4 Pnk
 2-10 VDC Feedback 5 Gr

Chiller Head Press Valve Actuator
 Set 0.5-10 VDC

Chiller Control Panel TB1
 Is 0-10 VDC
 Signal Source (78+ & 77-)

ACTUATOR HAS 4 TO 1 LEVER

90 DEG ACTUATOR TO 60 DEG VALVE ROTATION OR A 1.5 TO 1 RATIO INCREASES THROTTLING DISC REPOSITIONS

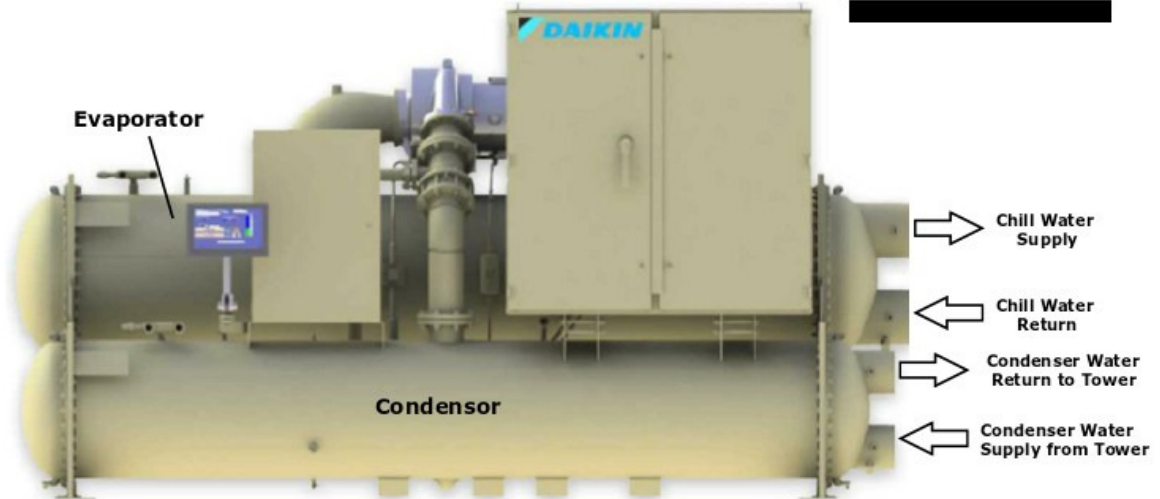
CONDENSER WATER VALVE



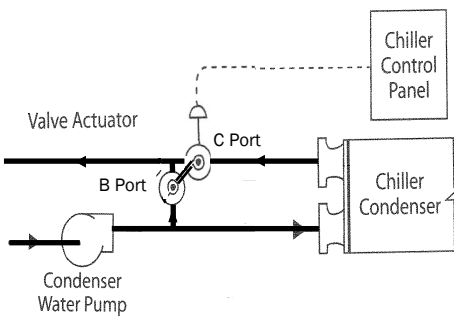
WESLEY VALVE CO.

MFGRS OF AUTOMATED BUTTERFLY VALVES
 3229 North L Street
 Pensacola, FL 32505
 PHN: (404) 351-8744 FAX: (404) 351-9340
www.wesleyvalve.com

HEAD PRESSURE VALVE WIRING FOR MAGNITUDE CENTRIFUGAL CHILLERS

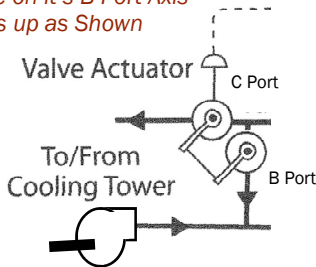


Add 500 Ohm Resistor between 1 Blk & 3 Wht for Chiller 4-20 mA Signal

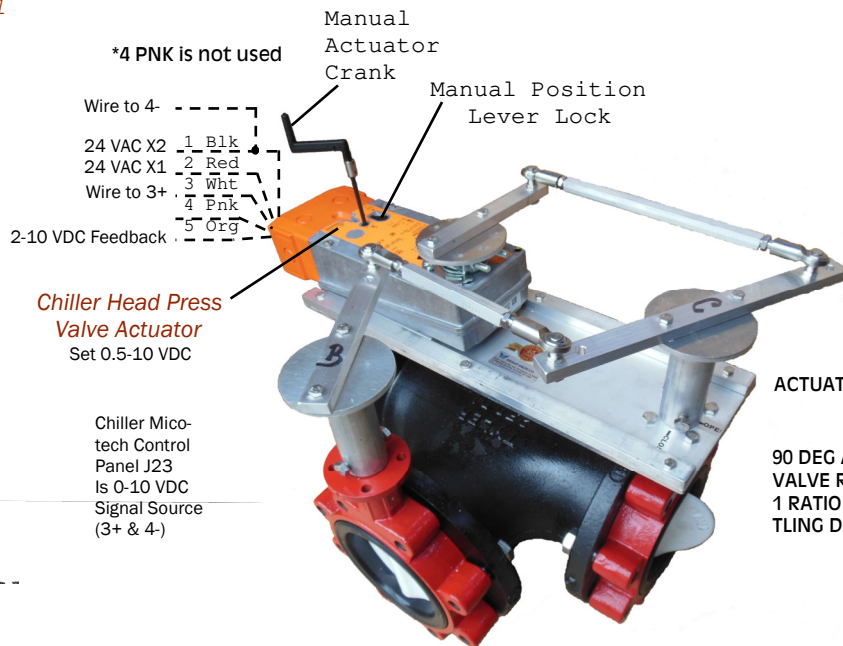


CORRECT 3-WAY VALVE PIPING

During Pipe Installation, DO NOT Spin the Valve on it's B Port Axis so that it ends up as Shown



INCORRECT 3-WAY VALVE PIPING



ACTUATOR HAS 4 TO 1 LEVER

90 DEG ACTUATOR TO 60 DEG VALVE ROTATION OR A 1.5 TO 1 RATIO INCREASES THROTTLING DISC REPOSITIONS

CONDENSER WATER VALVE



WESLEY VALVE CO.

MFGRS OF AUTOMATED BUTTERFLY VALVES
 3229 North L Street
 Pensacola, FL 32505
 PHN: (404) 351-8744 FAX: (404) 351-9340
www.wesleyvalve.com