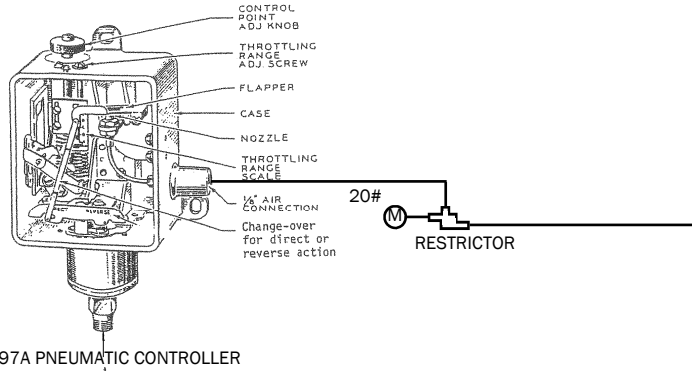


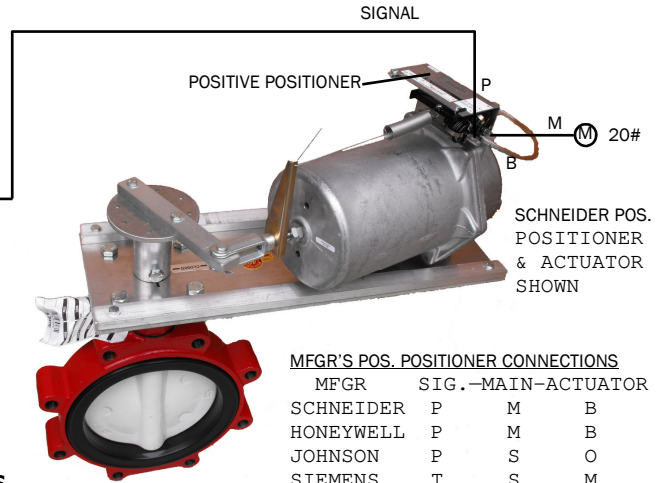
HEAD PRESS VALVE CONNECTIONS FOR CHILLERS WITHOUT BUILT-IN CONTROL MODULES



PP97A PNEUMATIC CONTROLLER

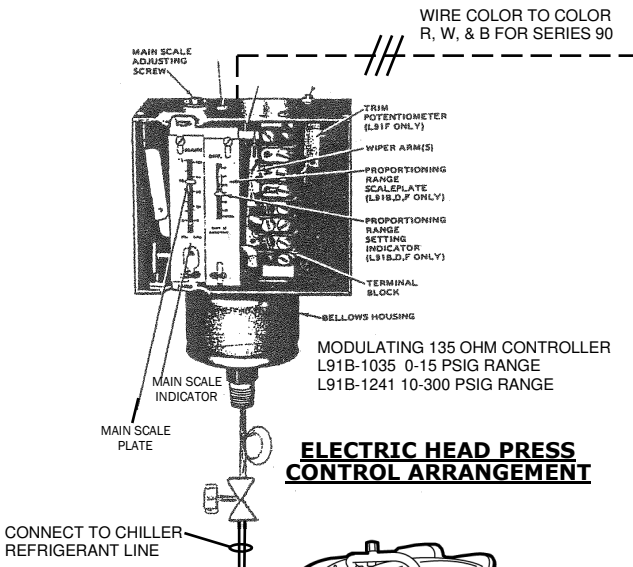
1/4" COPPER CONNECT TO CHILLER REFRIGERANT LINE

PNEUMATIC HEAD PRESS CONTROL ARRANGEMENT

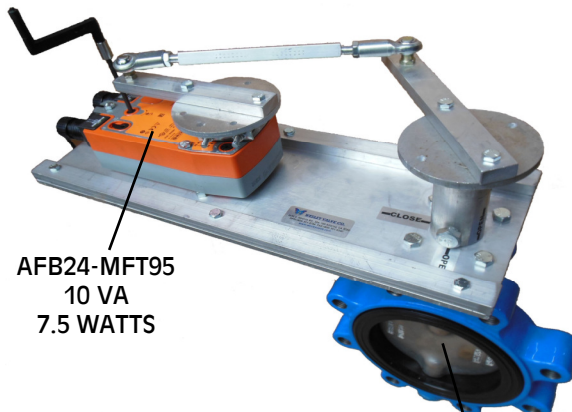


MFGR'S POS. POSITIONER CONNECTIONS

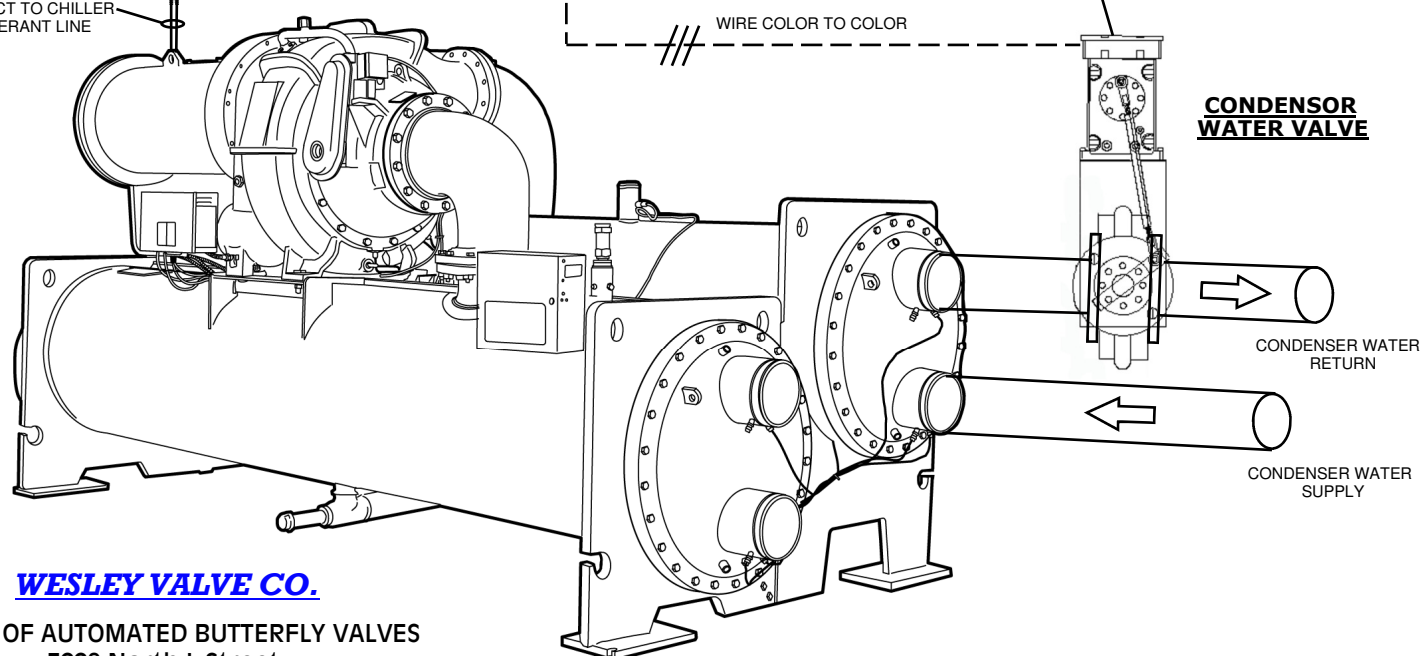
MFGR	SIG.	MAIN	ACTUATOR
SCHNEIDER	P	M	B
HONEYWELL	P	M	B
JOHNSON	P	S	O
SIEMENS	T	S	M



ELECTRIC HEAD PRESS CONTROL ARRANGEMENT



AFB24-MFT95



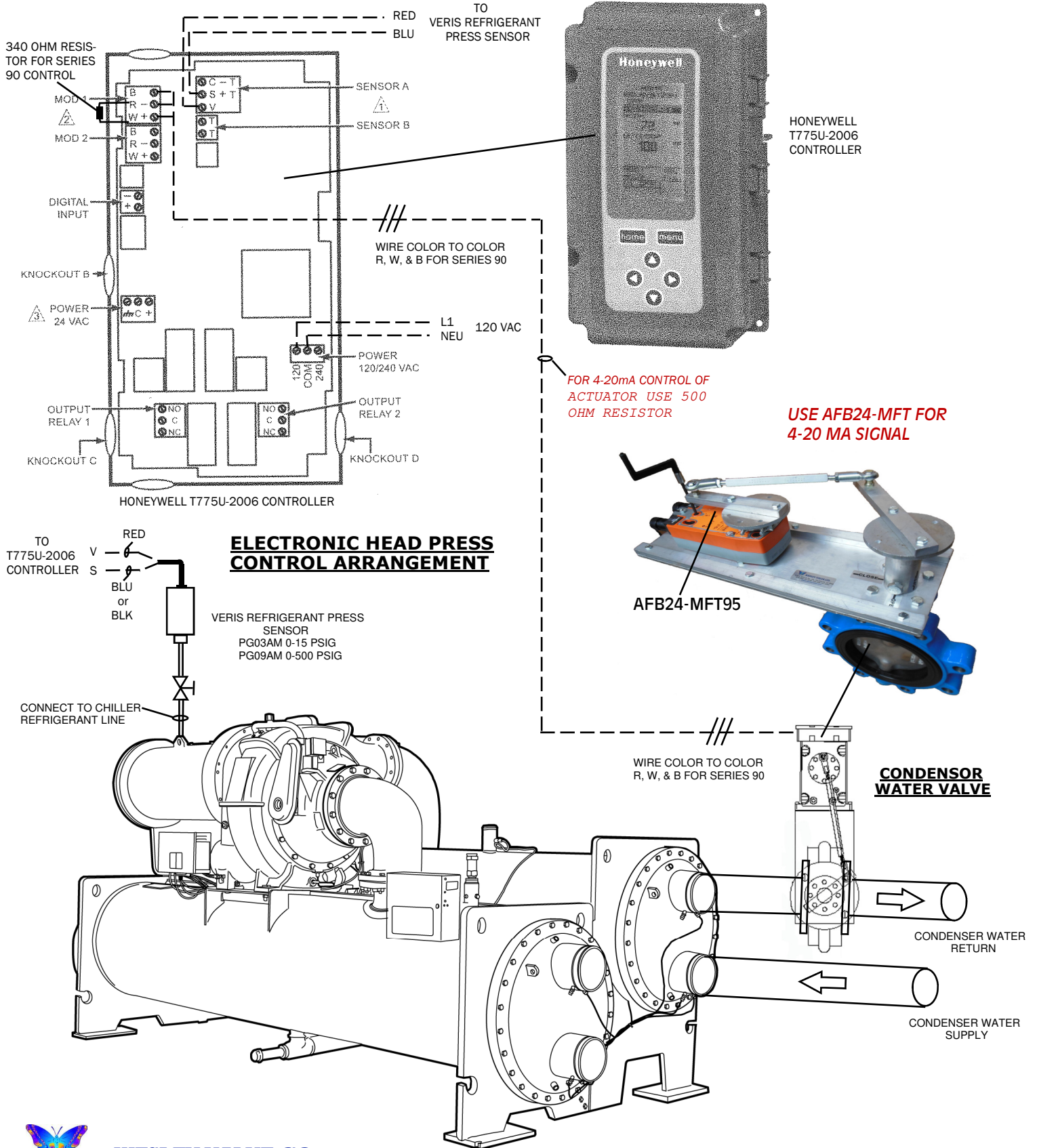
CONDENSER WATER VALVE



WESLEY VALVE CO.

MFGRS OF AUTOMATED BUTTERFLY VALVES
3229 North L Street
Pensacola, FL 32505
PHN: (404) 351-8744 FAX: (404) 351-9340
www.wesleyvalve.com

HEAD PRESS VALVE CONNECTIONS FOR CHILLERS WITHOUT BUILT-IN CONTROL MODULES



WESLEY VALVE CO.

MFGRS OF AUTOMATED BUTTERFLY VALVES

3229 North L Street
Pensacola, FL 32505

PHN: (404) 351-8744 FAX: (404) 351-9340

WWW.WESLEYVALVE.COM