

Existing Butterfly Valve Retrofit Work-sheet

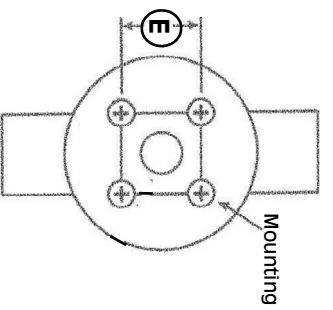
For Electric Actuation

See a price or data sheet for selecting a part number

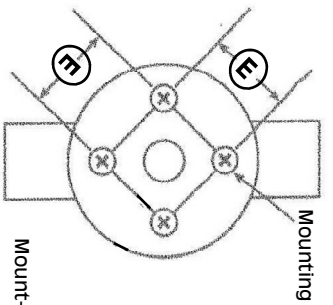
Valve Body Manufacturer _____

List Co. Name if Possible _____

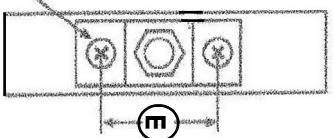
E **F** **G** **H** **S**



Style



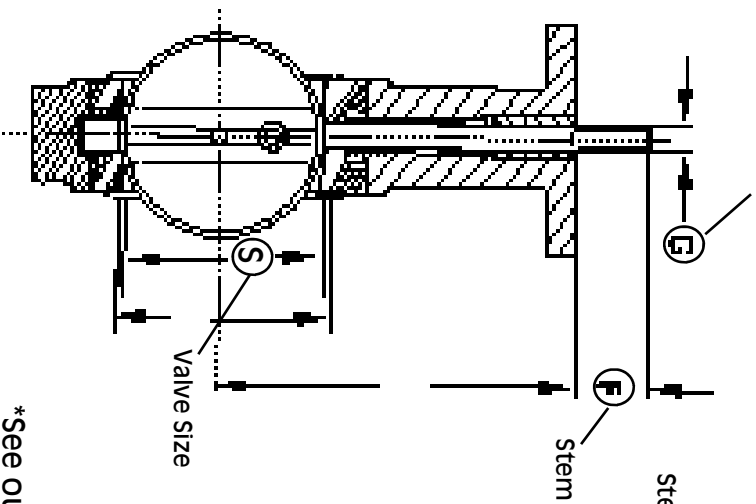
Style



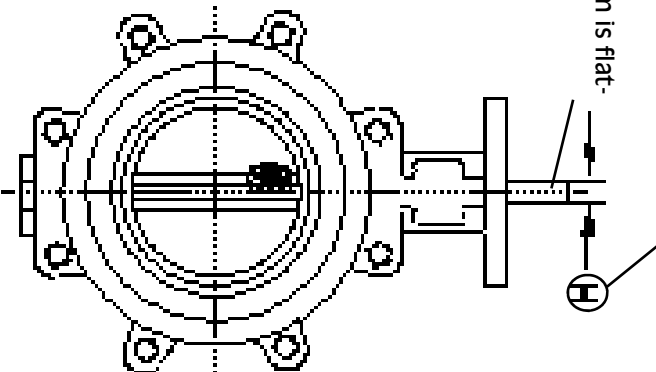
Style

Existing Butterfly Valve Yoke Mounting Hole

Full Stem Diameter *If Stem is Round then just provide Dimension C (H is not Nec-)*



Flat to Flat Side Dimen-



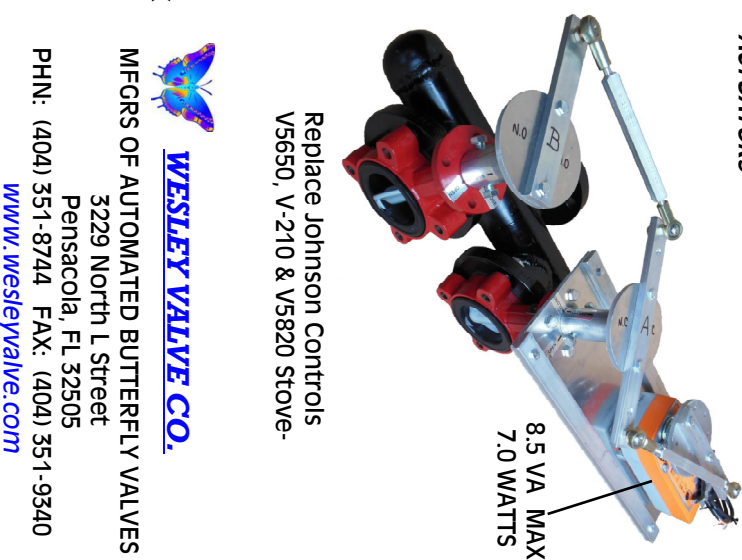
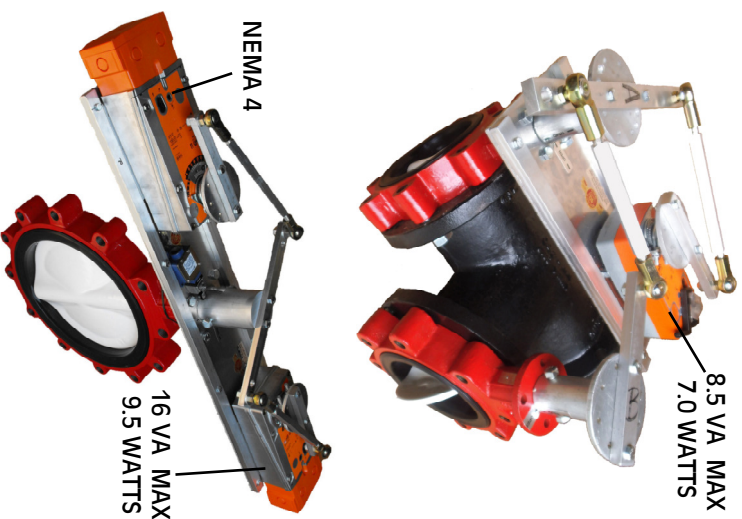
*See our Valve Price Sheet OR

Note: "H" Dimension is for Valve Stems that are Flatted on each side (Double D)

TEST EXISTING VALVE

Manually Open & Close Valve with a Short Wrench (8" Maximum Handle length)

If Valve is Physically Difficult to Open & Close, Install Valve Assembly with New



BELIMO ACTUATORS

Replace Johnson Controls V5650, V-210 & V5820 Stove-



WESLEY VALVE CO.

MFGRS OF AUTOMATED BUTTERFLY VALVES

3229 North L Street
Pensacola, FL 32505
PHN: (404) 351-8744 FAX: (404) 351-9340
www.wesleyvalve.com