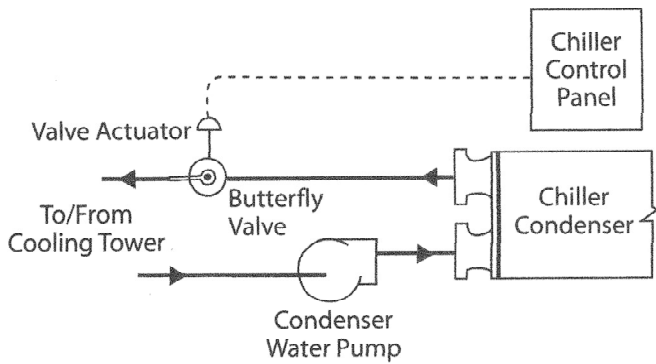


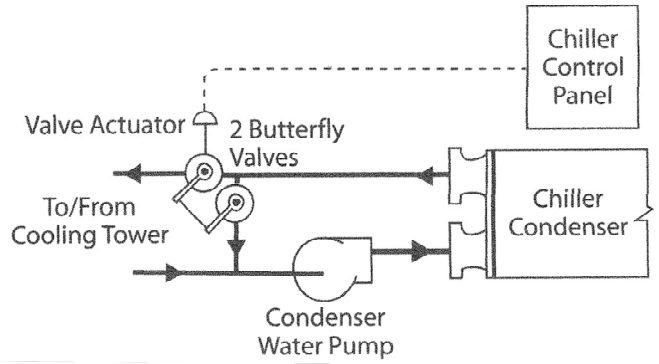
CHILLER HEAD PRESSURE VALVE PIPING ARRANGEMENTS



2-Way Valve Arrangement

Advantages:
Good Control at low cost.
Pumping Cost can be reduced.

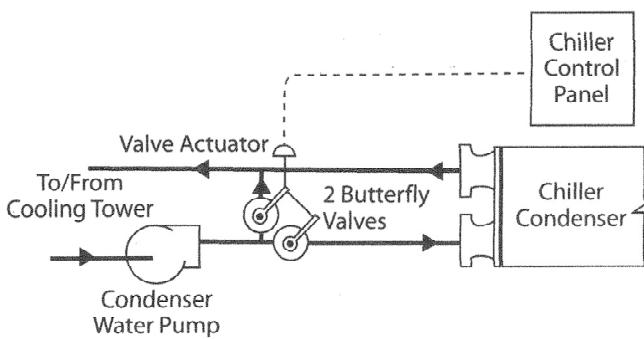
Disadvantages:
Cooling Tower water flow may fall below the minimum limit.
Pump must accommodate variable flow.



3-Way Valve Arrangement with Dedicated CNW Pump

Advantages:
Best Control by maintaining constant Flow through Condenser.

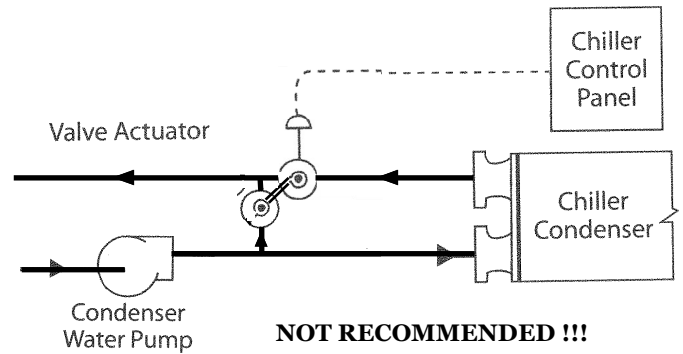
Disadvantages:
Cooling Tower water flow may fall below the minimum limit—Bypassing Tower.
3-Way is more expensive than 2-Way.



3-Way Valve Arrangement with NonDedicated CNW Pump With Valve located on the CNW Entering side of Chiller

Advantages:
Faster Temperature Response since not bypassing Cooling Tower.
Number of CNW Pumps can be reduced.

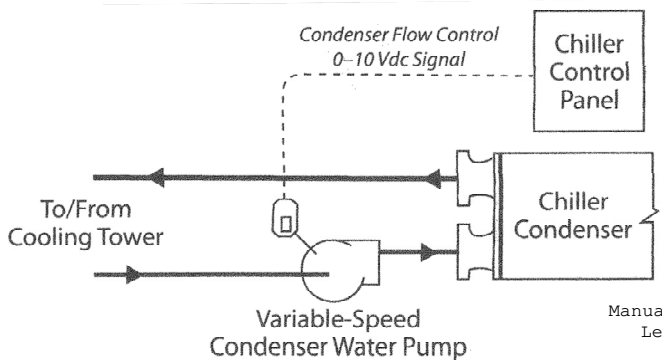
Disadvantages:
3-Way is more expensive than 2-Way.



NOT RECOMMENDED !!!

3-Way Valve Arrangement with NonDedicated CNW Pump With Valve located on the CNW Leaving side of Chiller

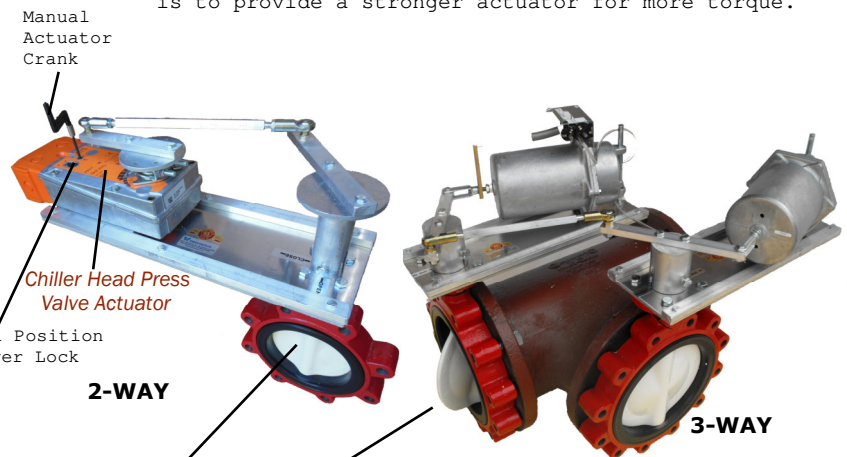
Disadvantages:
Installing the 3-Way Valve on the CNW Leaving side will cause Unequal Valve Port Pressures and may render Valve inoperable.
If this arrangement is required, the only solution is to provide a stronger actuator for more torque.



Variable Speed Drive Pump Arrangement

Advantages:
Good Control.
Pumping Utility Cost can be reduced.

Disadvantages:
Cooling Tower water flow may fall below the minimum limit.
Pump, Motor, and Drive combination must be suitable.



CONDENSOR WATER VALVES



WESLEY VALVE CO.

MFGRS OF AUTOMATED BUTTERFLY VALVES
3229 North L Street
Pensacola, FL 32505
PHN: (404) 351-8744 FAX: (404) 351-9340
www.wesleyvalve.com

The Valve Assemblies shown provide more modulating resolution than 1/4 Turn Actuator assemblies—Electric or Pneumatic. The actuator stroke time must be 1 minute or less, but then modulating resolution is required to overcome the Butterfly Valve Control capabilities and it's oversize.