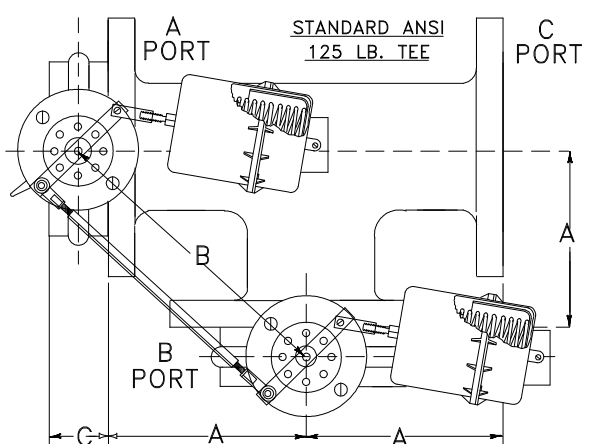




AUTOMATED BUTTERFLY VALVE ASSEMBLIES WITH Schneider Electric PNEUMATIC ACTUATORS

Ratings are Based on Bray S31-119 & Keystone AR2 Valve Bodies



ACTUATOR PART # * = DUAL ACT.	SIZE	A DIM.	B DIM.	C DIM.	Cv	Max. Close Rating	Bubble Leak Occur.
MK-7121	2	4.5	7 1/2	1 5/8	84	125	125#
MK-3121	2.5	5.0	8 1/4	1 3/4	163	125	125#
MK-3121	3	5.5	9 3/16	1 3/4	267	110	125#
MK-3121	4	6.5	10 3/4	2.0	496	110	50#
MK-7121	5	7.5	12 1/4	2 1/8	775	100	50#
MK-7121	6	8.0	13 15/16	2 1/8	1025	90	50#
MK-7121	8	9.0	14 7/8	2 1/2	1862	80	50#
*MK-7121	10	11	17 3/4	2 1/2	2948	70	50#
*MK-7121	12	12	19 3/4	3.0	4393	70	50#
*JCI D3246-1	14	14	21 3/4	3.0	5939	60	50#
*JCI D3246-1	16	15	24 3/4	4.0	7867	50	50#

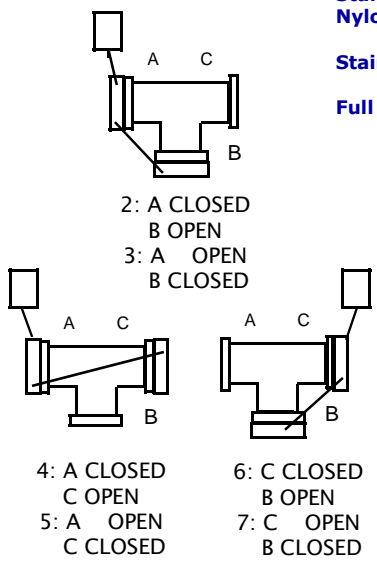
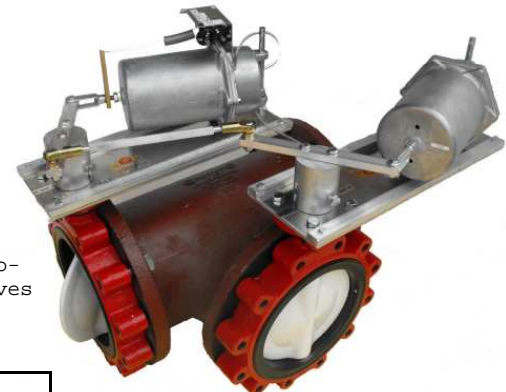
System pressure is normally not a resistance factor For 3-way valve disc closure.

STANDARD VALVE BODY FEATURES

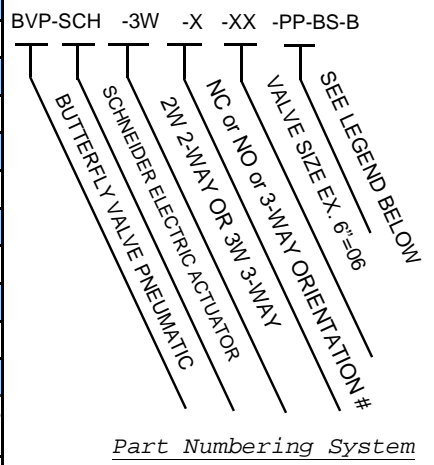
- EPDM Rubber Liner
- Stainless Steel or Nylon Coated Disc
- Stainless Steel Shaft
- Full Threaded Lug



For Best Modulating Control Results Automated Butterfly Valves Are Adjusted For 70 Deg. Max. Opening



SIZE	CV VALUES							
	144	84	61	43	27	16	7	1
2.5	282	163	107	67	43	24	11	1.5
3	461	267	154	96	61	35	15	2
4	841	496	274	171	109	62	27	3
5	1,376	775	428	268	170	98	43	5
6	1,850	1,025	567	354	225	129	56	6
8	3,316	1,862	1,081	680	421	241	102	12
10	5,430	2,948	1,710	1,076	667	382	162	19
12	8,077	4,393	2,563	1,594	1,005	555	235	27
14	10,538	5,939	3,384	2,149	1,320	756	299	34
16	13,966	7,867	4,483	2,847	1,749	1,001	397	45

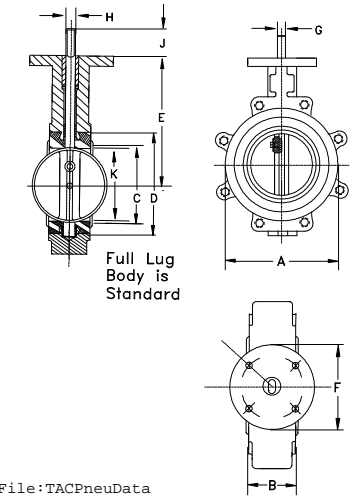


3-WAY VALVE ORIENTATIONS

DIMENSIONS

SIZE	A	B	D	E	F	G	H	J	K
2"	3.69	1.62	2.84	5.50	3.54	.55	.39	1.25	1.32
2.5"	4.19	1.75	3.34	6.00	3.54	.55	.39	1.25	1.91
3"	4.88	1.75	4.03	6.25	3.54	.55	.39	1.25	2.55
4"	6.06	2.00	5.16	7.00	3.54	.63	.43	1.25	3.57
5"	7.12	2.12	6.16	7.50	3.54	.75	.51	1.25	4.63
6"	8.12	2.12	7.02	8.00	3.54	.75	.51	1.25	5.45
8"	10.50	2.50	9.47	9.50	5.91	.87	.63	1.25	7.45
10"	12.75	2.50	11.47	10.75	5.91	1.18	.87	2.00	9.53
12"	14.88	3.00	9.47	9.50	5.91	1.18	.87	2.00	11.47
14"	17.05	3.00	15.28	13.62	5.91	1.38	N/A	2.00	13.04
16"	19.21	4.00	17.41	14.75	5.91	1.38	N/A	2.00	14.85

Legend
 RF = Retrofit Kit
 PP = Positive Positioner
 BS = Valve Bump Switch
 SS = Stainless Rod Ends & Bolts
 B = Bray, K = Keystone



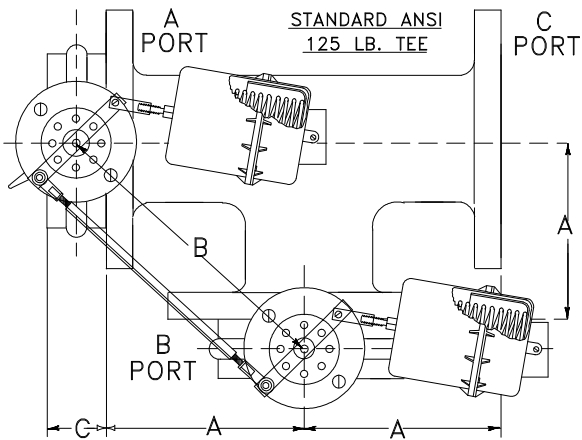
WESLEY VALVE CO.

MFGRS OF AUTOMATED BUTTERFLY VALVES
 4938 S. Atlanta Rd., Ste. 100
 Atlanta, GA 30339
 PHN: (404) 351-8744
 FAX: (404) 351-9340
www.wesleyvalve.com



AUTOMATED BUTTERFLY VALVE ASSEMBLIES WITH SIEMENS PNEUMATIC ACTUATORS

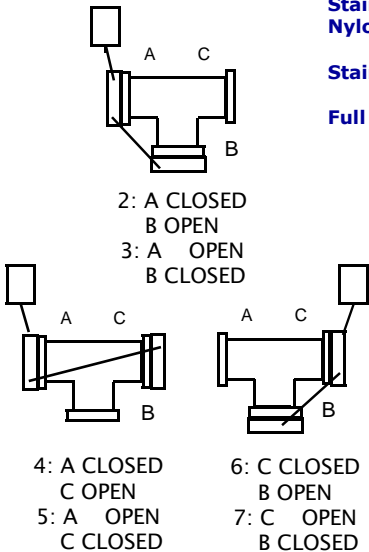
Ratings are Based on Bray S31-119 & Keystone AR2 Valve Bodies



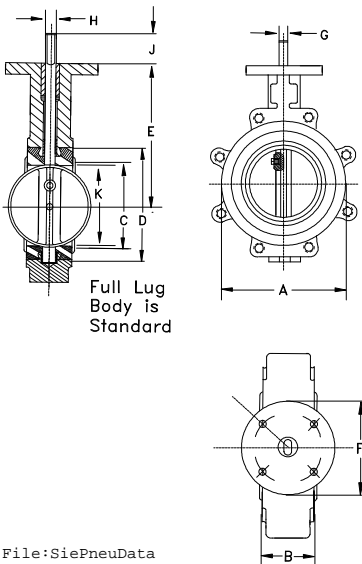
System pressure is normally not a resistance factor For 3-way valve disc closure.

STANDARD VALVE BODY FEATURES

- EPDM Rubber Liner
- Stainless Steel or Nylon Coated Disc
- Stainless Steel Shaft
- Full Threaded Lug



3-WAY VALVE ORIENTATIONS



File: SiePneuData

ACTUATOR PART # * = DUAL ACT.	SIZE	A DIM.	B DIM.	C DIM.	Cv	Max. Close Rating	Bubble Leak Occur.
331-3017	2	4.5	7 1/2	1 5/8	84	125	125#
331-3017	2.5	5.0	8 1/4	1 3/4	163	125	125#
331-3017	3	5.5	9 3/16	1 3/4	267	110	125#
331-3017	4	6.5	10 3/4	2.0	496	110	50#
331-2856	5	7.5	12 1/4	2 1/8	775	100	50#
331-2856	6	8.0	13 15/16	2 1/8	1025	90	50#
331-2856	8	9.0	14 7/8	2 1/2	1862	80	50#
*331-2856	10	11	17 3/4	2 1/2	2948	70	50#
*331-2856	12	12	19 3/4	3.0	4393	70	50#
*D3246-1	14	14	21 3/4	3.0	5939	70	50#
*D3246-1	16	15	24 3/4	4.0	7867	60	50#

*D3246-1 are Dual Johnson Controls Pneumatic Actuators



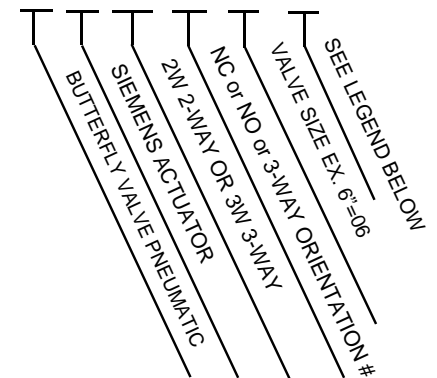
SIEMENS



SIZE	CV VALUES							
2	144	84	61	43	27	16	7	1
2.5	282	163	107	67	43	24	11	1.5
3	461	267	154	96	61	35	15	2
4	841	496	274	171	109	62	27	3
5	1,376	775	428	268	170	98	43	5
6	1,850	1,025	567	354	225	129	56	6
8	3,316	1,862	1,081	680	421	241	102	12
10	5,430	2,948	1,710	1,076	667	382	162	19
12	8,077	4,393	2,563	1,594	1,005	555	235	27
14	10,538	5,939	3,384	2,149	1,320	756	299	34
16	13,966	7,867	4,483	2,847	1,749	1,001	397	45

For Best Modulating Control Results Automated Butterfly Valves Are Adjusted For 70 Deg. Max. Opening

BVP-SIE -3W -X -XX -PP-BS-B



DIMENSIONS

SIZE	A	B	D	E	F	G	H	J	K
2"	3.69	1.62	2.84	5.50	3.54	.55	.39	1.25	1.32
2.5"	4.19	1.75	3.34	6.00	3.54	.55	.39	1.25	1.91
3"	4.88	1.75	4.03	6.25	3.54	.55	.39	1.25	2.55
4"	6.06	2.00	5.16	7.00	3.54	.63	.43	1.25	3.57
5"	7.12	2.12	6.16	7.50	3.54	.75	.51	1.25	4.63
6"	8.12	2.12	7.02	8.00	3.54	.75	.51	1.25	5.45
8"	10.50	2.50	9.47	9.50	5.91	.87	.63	1.25	7.45
10"	12.75	2.50	11.47	10.75	5.91	1.18	.87	2.00	9.53
12"	14.88	3.00	9.47	9.50	5.91	1.18	.87	2.00	11.47
14"	17.05	3.00	15.28	13.62	5.91	1.38	N/A	2.00	13.04
16"	19.21	4.00	17.41	14.75	5.91	1.38	N/A	2.00	14.85

Legend
 RF = Retrofit Kit
 PP = Positive Positioner
 BS = Valve Bump Switch
 SS = Stainless Rod Ends & Bolts
 B = Bray, K = Keystone
 RF = Retrofit Kit



WESLEY VALVE CO.

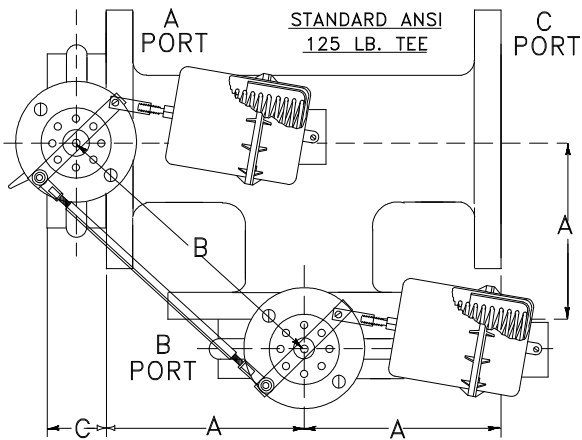
MFGRS OF AUTOMATED BUTTERFLY VALVES
 4938 S. Atlanta Rd., Ste. 100
 Atlanta, GA 30339
 PHN: (404) 351-8744
 FAX: (404) 351-9340
www.wesleyvalve.com



AUTOMATED BUTTERFLY VALVE ASSEMBLIES

WITH **JOHNSON CONTROLS**  **PNEUMATIC ACTUATORS**

Ratings are Based on Bray S31-119 & Keystone AR2 Valve Bodies



System pressure is normally not a resistance factor For 3-way valve disc closure.

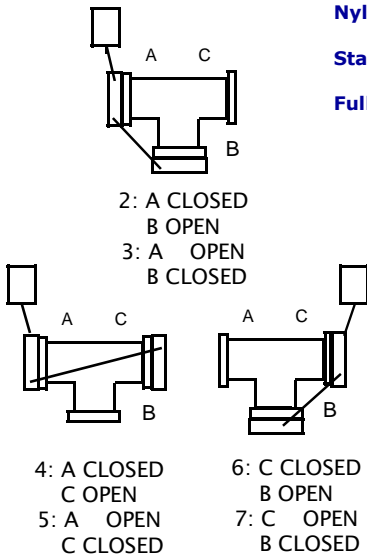
STANDARD VALVE BODY FEATURES

EPDM Rubber Liner

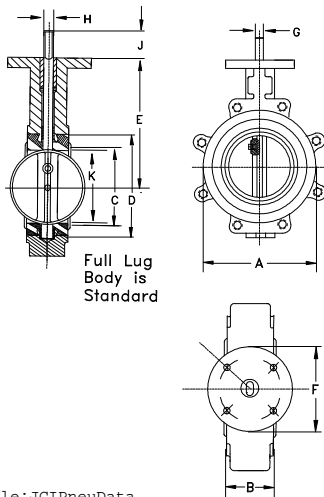
Stainless Steel or Nylon Coated Disc

Stainless Steel Shaft

Full Threaded Lug



3-WAY VALVE ORIENTATIONS



SIZE	CV VALUES							
2	144	84	61	43	27	16	7	1
2.5	282	163	107	67	43	24	11	1.5
3	461	267	154	96	61	35	15	2
4	841	496	274	171	109	62	27	3
5	1,376	775	428	268	170	98	43	5
6	1,850	1,025	567	354	225	129	56	6
8	3,316	1,862	1,081	680	421	241	102	12
10	5,430	2,948	1,710	1,076	667	382	162	19
12	8,077	4,393	2,563	1,594	1,005	555	235	27
14	10,538	5,939	3,384	2,149	1,320	756	299	34
16	13,966	7,867	4,483	2,847	1,749	1,001	397	45
	90°	70°	60°	50°	40°	30°	20°	10°

DIMENSIONS

SIZE	A	B	D	E	F	G	H	J	K
2"	3.69	1.62	2.84	5.50	3.54	.55	.39	1.25	1.32
2.5"	4.19	1.75	3.34	6.00	3.54	.55	.39	1.25	1.91
3"	4.88	1.75	4.03	6.25	3.54	.55	.39	1.25	2.55
4"	6.06	2.00	5.16	7.00	3.54	.63	.43	1.25	3.57
5"	7.12	2.12	6.16	7.50	3.54	.75	.51	1.25	4.63
6"	8.12	2.12	7.02	8.00	3.54	.75	.51	1.25	5.45
8"	10.50	2.50	9.47	9.50	5.91	.87	.63	1.25	7.45
10"	12.75	2.50	11.47	10.75	5.91	1.18	.87	2.00	9.53
12"	14.88	3.00	9.47	9.50	5.91	1.18	.87	2.00	11.47
14"	17.05	3.00	15.28	13.62	5.91	1.38	N/A	2.00	13.04
16"	19.21	4.00	17.41	14.75	5.91	1.38	N/A	2.00	14.85

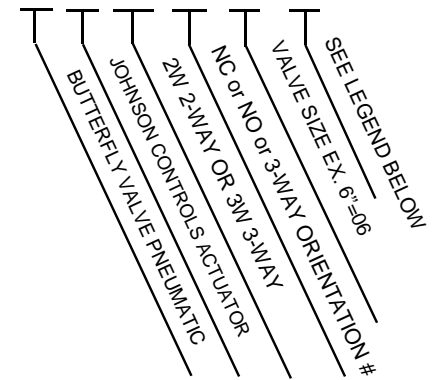


JOHNSON CONTROLS 



For Best Modulating Control Results Automated Butterfly Valves Are Adjusted For 70 Deg. Max. Opening

BVP-JCI -3W -X -XX -PP-BS-B



Legend

RF = Retrofit Kit
 PP = Positive Positioner
 BS = Valve Bump Switch
 SS = Stainless Rod Ends & Bolts
 B = Bray, K = Keystone



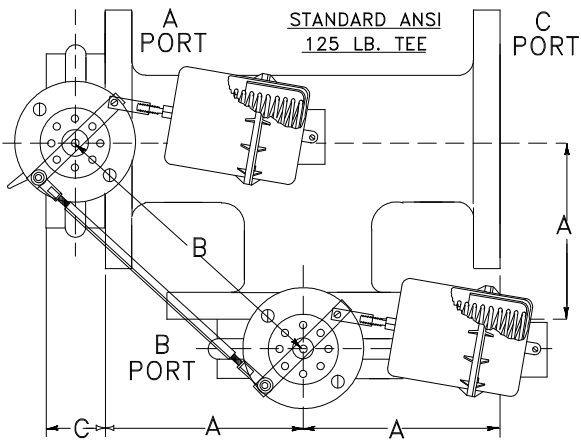
WESLEY VALVE CO.

MFGRS OF AUTOMATED BUTTERFLY VALVES
 4938 S. Atlanta Rd., Ste. 100
 Atlanta, GA 30339
 PHN: (404) 351-8744
 FAX: (404) 351-9340
www.wesleyvalve.com



AUTOMATED BUTTERFLY VALVE ASSEMBLIES WITH HONEYWELL PNEUMATIC ACTUATORS

Ratings are Based on Bray S31-119 & Keystone AR2 Valve Bodies



ACTUATOR PART # * = DUAL ACT.	SIZE	A DIM.	B DIM.	C DIM.	Cv	Max. Close Rating	Bubble Leak Occur.
MP909E	2	4.5	7 1/2	1 5/8	84	125	125#
MP909E	2.5	5.0	8 1/4	1 3/4	163	125	125#
MP909E	3	5.5	9 3/16	1 3/4	267	110	125#
MP909E	4	6.5	10 3/4	2.0	496	110	50#
MP918B	5	7.5	12 1/4	2 1/8	775	100	50#
MP918B	6	8.0	13 15/16	2 1/8	1025	90	50#
MP918B	8	9.0	14 7/8	2 1/2	1862	80	50#
*MP918B	10	11	17 3/4	2 1/2	2948	70	50#
*MP918B	12	12	19 3/4	3.0	4393	70	50#
*MP920B	14	14	21 3/4	3.0	5939	60	50#
*MP920B	16	15	24 3/4	4.0	7867	50	50#

System pressure is normally not a resistance factor For 3-way valve disc closure.

STANDARD VALVE BODY FEATURES

EPDM Rubber Liner

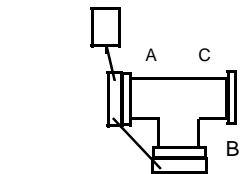
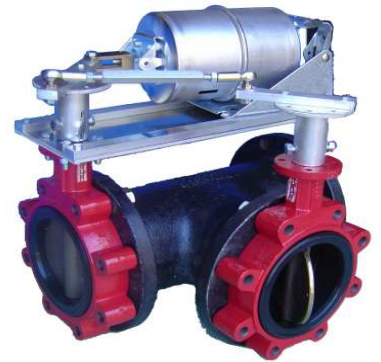
Stainless Steel or Nylon Coated Disc

Stainless Steel Shaft

Full Threaded Lug

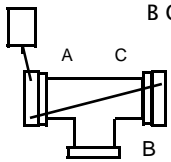


HONEYWELL



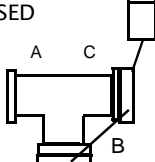
2: A CLOSED
B OPEN

3: A OPEN
B CLOSED



4: A CLOSED
C OPEN

5: A OPEN
C CLOSED



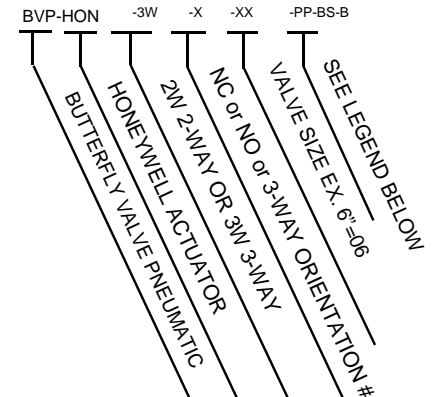
6: C CLOSED
B OPEN

7: C OPEN
B CLOSED

3-WAY VALVE ORIENTATIONS

SIZE	CV VALUES							
2	144	84	61	43	27	16	7	1
2.5	282	163	107	67	43	24	11	1.5
3	461	267	154	96	61	35	15	2
4	841	496	274	171	109	62	27	3
5	1,376	775	428	268	170	98	43	5
6	1,850	1,025	567	354	225	129	56	6
8	3,316	1,862	1,081	680	421	241	102	12
10	5,430	2,948	1,710	1,076	667	382	162	19
12	8,077	4,393	2,563	1,594	1,005	555	235	27
14	10,538	5,939	3,384	2,149	1,320	756	299	34
16	13,966	7,867	4,483	2,847	1,749	1,001	397	45

For Best Modulating Control Results Automated Butterfly Valves Are Adjusted For 70 Deg. Max. Opening

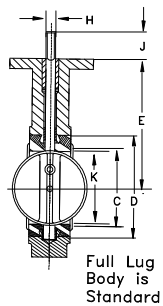


DIMENSIONS

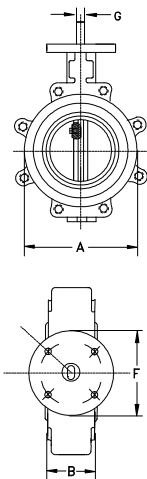
SIZE	A	B	D	E	F	G	H	J	K
2"	3.69	1.62	2.84	5.50	3.54	.55	.39	1.25	1.32
2.5"	4.19	1.75	3.34	6.00	3.54	.55	.39	1.25	1.91
3"	4.88	1.75	4.03	6.25	3.54	.55	.39	1.25	2.55
4"	6.06	2.00	5.16	7.00	3.54	.63	.43	1.25	3.57
5"	7.12	2.12	6.16	7.50	3.54	.75	.51	1.25	4.63
6"	8.12	2.12	7.02	8.00	3.54	.75	.51	1.25	5.45
8"	10.50	2.50	9.47	9.50	5.91	.87	.63	1.25	7.45
10"	12.75	2.50	11.47	10.75	5.91	1.18	.87	2.00	9.53
12"	14.88	3.00	9.47	9.50	5.91	1.18	.87	2.00	11.47
14"	17.05	3.00	15.28	13.62	5.91	1.38	N/A	2.00	13.04
16"	19.21	4.00	17.41	14.75	5.91	1.38	N/A	2.00	14.85

LEGEND

RF = Retrofit Kit
PP = Positive Positioner
BS = Valve Bump Switch
SS = Stainless Rod Ends & Bolts
B = Bray, K = Keystone



Full Lug Body is Standard



WESLEY VALVE CO.

MFGRS OF AUTOMATED BUTTERFLY VALVES
4938 S. Atlanta Rd., Ste. 100
Atlanta, GA 30339
PHN: (404) 351-8744
FAX: (404) 351-9340