



-NOW AVAILABLE FOR SHIPMENTTHIP-

AUTOMATED BUTTERFLY VALVES WITH

JOHNSON CONTROLS  **ACTUATORS**

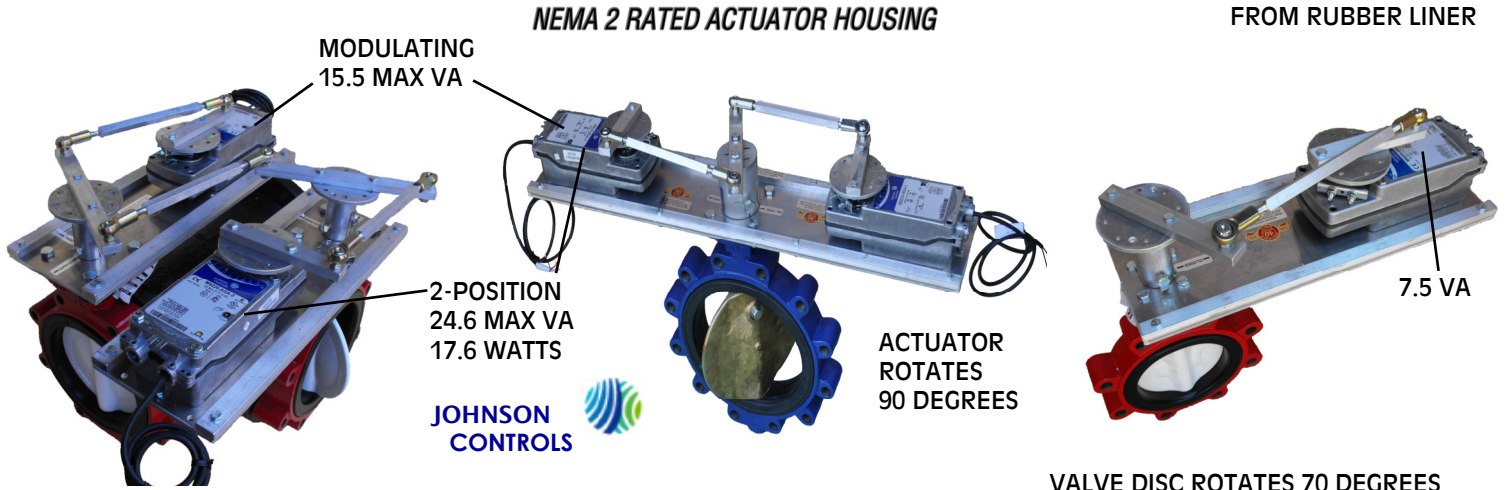
SPRING RETURN VALVE ASSEMBLIES AVAILABLE 2" THROUGH 12"

M9116/M9132 NON-SPRING RETURN ACTUATORS
M9220 SPRING RETURN ACTUATORS

**PRECISE CONTROL REQUIRES NUMEROUS
MODULATING VALVE DISC REPOSITIONS —**

90 TO 60 DEGREE (1.5 TO 1 RATIO) VALVE TURN ASSEMBLY

ACTUATOR HAS 4 TO 1
LEVER OR TORQUE AD-
VANTAGE FOR VALVE
DISC BREAK-A-WAY
FROM RUBBER LINER



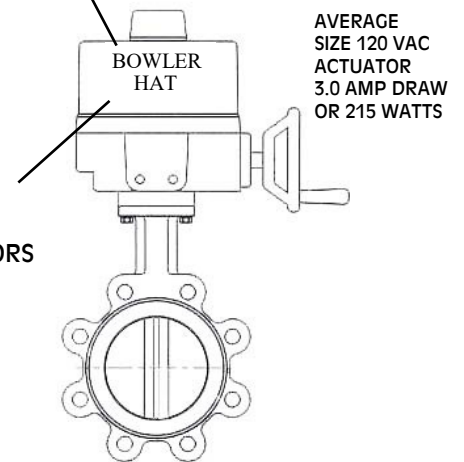
ADVANTAGE OF SELECTING A VALVE ASSEMBLY WITH

JOHNSON CONTROLS  **M9116, 9132, & 9220 ACTUATORS**

- A. Valve Assembly at Low Cost
- B.) Superior Modulating Resolution for 0-10 VDC/4-20mA Control Signals
- C.) Minimal Replacement of Actuator During Warranty Period
- D.) 20 Year Life Expectancy

BUTTERFLY VALVE ASSEMBLIES WITH 1/4 TURN BOWLER HAT TYPE ACTUATORS HAVE A LIMITED AMOUNT OF MODULATING VALVE DISC REPOSITIONS (RESOLUTION) RESULT-ING IN EXCESSIVE VALVE CYCLING, PREMATURE VALVE WEAROUT, AND BURN

REQUIRES ELECTRIC ANTI CONDENSATE HEATER FOR OUTDOORS OR HIGH HUMIDITY



DID YOU KNOW ?

WESLEY VALVE CO. IS THE ONLY SUPPLIER OF AUTOMATED BUTTERFLY VALVE ASSEMBLIES WITH **JOHNSON** ACTUATORS LARGER THAN 5" (FIVE INCHES)



WESLEY VALVE CO.

MFGRS OF AUTOMATED BUTTERFLY VALVES
3229 North L Street
Pensacola, FL 32505
PHN: (404) 351-8744 FAX: (404) 351-9340
WWW.WESLEYVALVE.COM

REPLACING A FAILED BOWLER HAT ACTUATOR ?

CONSIDER RETROFITTING IT WITH THE MORE RELIABLE JOHNSON BLUE JACKET ACTUATOR ASSEMBLY AS SHOWN ABOVE

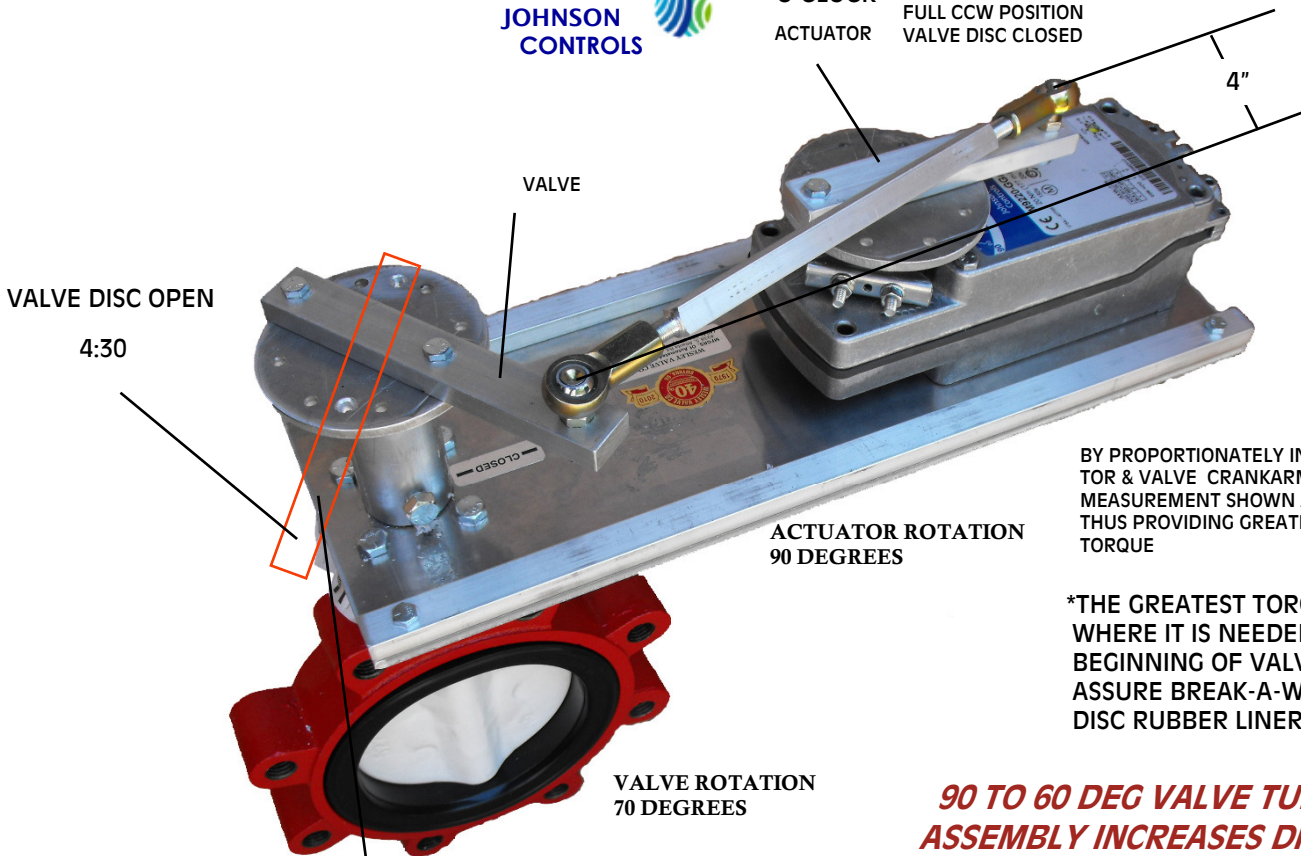
USING LEVER ADVANTAGE TO INCREASE TORQUE AND IMPROVE CONTROL

DIRECT COUPLED ACTION AS DESIGNED
JOHNSON CONTROLS SERIES M9220 SPRING RETURN
ACTUATOR'S TORQUE RATING IS 177 IN. LB.

REMOTE ROTARY ACTION
BREAK-A-WAY TORQUEING
ADVANTAGE QUADRUPLES
TO 708 IN. LB.



12:00
O'CLOCK
ACTUATOR
ACTUATOR SHOWN IN
FULL CCW POSITION
VALVE DISC CLOSED



BY PROPORTIONATELY INCREASING ACTUA-
TOR & VALVE CRANKARM LENGTHS THE
MEASUREMENT SHOWN ASLO INCREASES
THUS PROVIDING GREATER BREAK-A-WAY
TORQUE

*THE GREATEST TORQUE IS SUPPLIED
WHERE IT IS NEEDED MOST—AT THE
BEGINNING OF VALVE MOVEMENT TO
ASSURE BREAK-A-WAY FROM VALVE
DISC RUBBER LINER SEAL

**90 TO 60 DEG VALVE TURN
ASSEMBLY INCREASES DISC**

BUTTERFLY VALVE 2-WAY VALVE ASSEMBLY

AUTOMATED BUTTERFLY VALVES WITH  **ACTUATORS**
SPRING RETURN VALVE ASSEMBLIES AVAILABLE 2" THROUGH 12"



WESLEY VALVE CO.

MFGRS OF AUTOMATED BUTTERFLY VALVES
3229 North L Street
Pensacola, FL 32505
PHN: (404) 351-8744 FAX: (404) 351-9340

WWW.WESLEYVALVE.COM

SPRING RETURN VALVE ASSEMBLIES

2 TO 12" AVAILABLE

APPLICATIONS

- A. IDEALLY SUITED FOR CHILLER & COOLING TOWER ISOLATION
- B. COOLING TOWER MODULATING 3-WAY DIVERTING VALVE CONTROL

DIRECT COUPLED ACTION AS DESIGNED

JOHNSON CONTROLS SERIES M9220 SPRING RETURN ACTUATOR TORQUE RATING IS 177 IN. LB. DUAL ACTUATOR TORQUE RATING IS 354 IN. LB.

REMOTE ROTARY ACTION

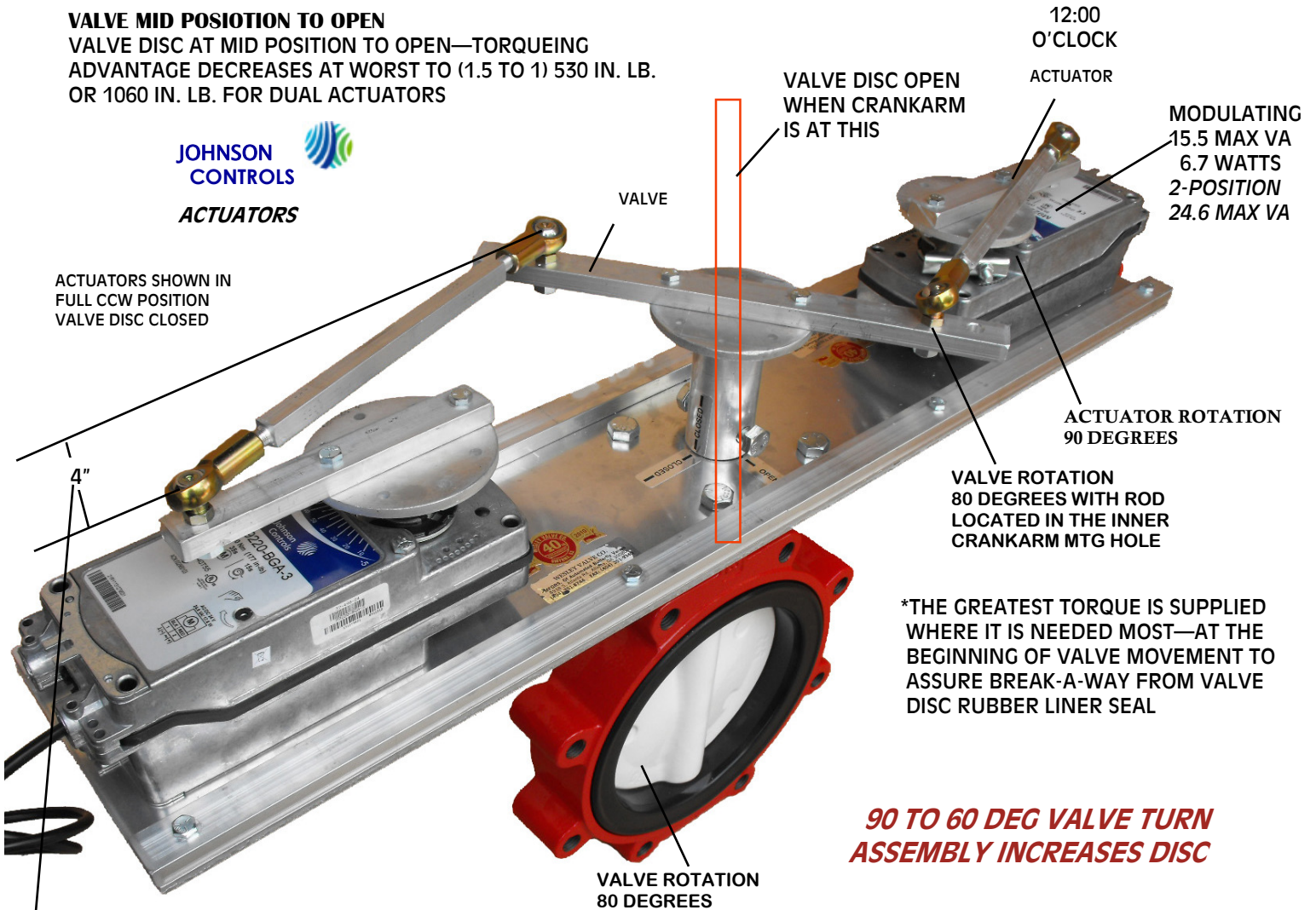
BREAK-A-WAY TORQUEING ADVANTAGE QUADRUPLES TO

VALVE MID POSITION TO OPEN

VALVE DISC AT MID POSITION TO OPEN—TORQUEING ADVANTAGE DECREASES AT WORST TO (1.5 TO 1) 530 IN. LB. OR 1060 IN. LB. FOR DUAL ACTUATORS



ACTUATORS SHOWN IN FULL CCW POSITION VALVE DISC CLOSED



12:00 O'CLOCK

ACTUATOR

VALVE DISC OPEN WHEN CRANKARM IS AT THIS

MODULATING
15.5 MAX VA
6.7 WATTS
2-POSITION
24.6 MAX VA

VALVE

ACTUATOR ROTATION
90 DEGREES

VALVE ROTATION
80 DEGREES WITH ROD
LOCATED IN THE INNER
CRANKARM MTG HOLE

*THE GREATEST TORQUE IS SUPPLIED WHERE IT IS NEEDED MOST—AT THE BEGINNING OF VALVE MOVEMENT TO ASSURE BREAK-A-WAY FROM VALVE DISC RUBBER LINER SEAL

90 TO 60 DEG VALVE TURN ASSEMBLY INCREASES DISC

VALVE ROTATION
80 DEGREES

BY PROPORTIONATELY INCREASING ACTUATOR & VALVE CRANKARM LENGTHS THE MEASUREMENT SHOWN ASLO INCREASES THUS

BUTTERFLY VALVE

2-WAY VALVE ASSEMBLY

AUTOMATED BUTTERFLY VALVES WITH



SPRING RETURN VALVE ASSEMBLIES AVAILABLE 2" THROUGH 12"



WESLEY VALVE CO.

MFGRS OF AUTOMATED BUTTERFLY VALVES
3229 North L Street
Pensacola, FL 32505
PHN: (404) 351-8744 FAX: (404) 351-9340
WWW.WESLEYVALVE.COM