



COUPLED NON SPRING RETURN ACTUATORS

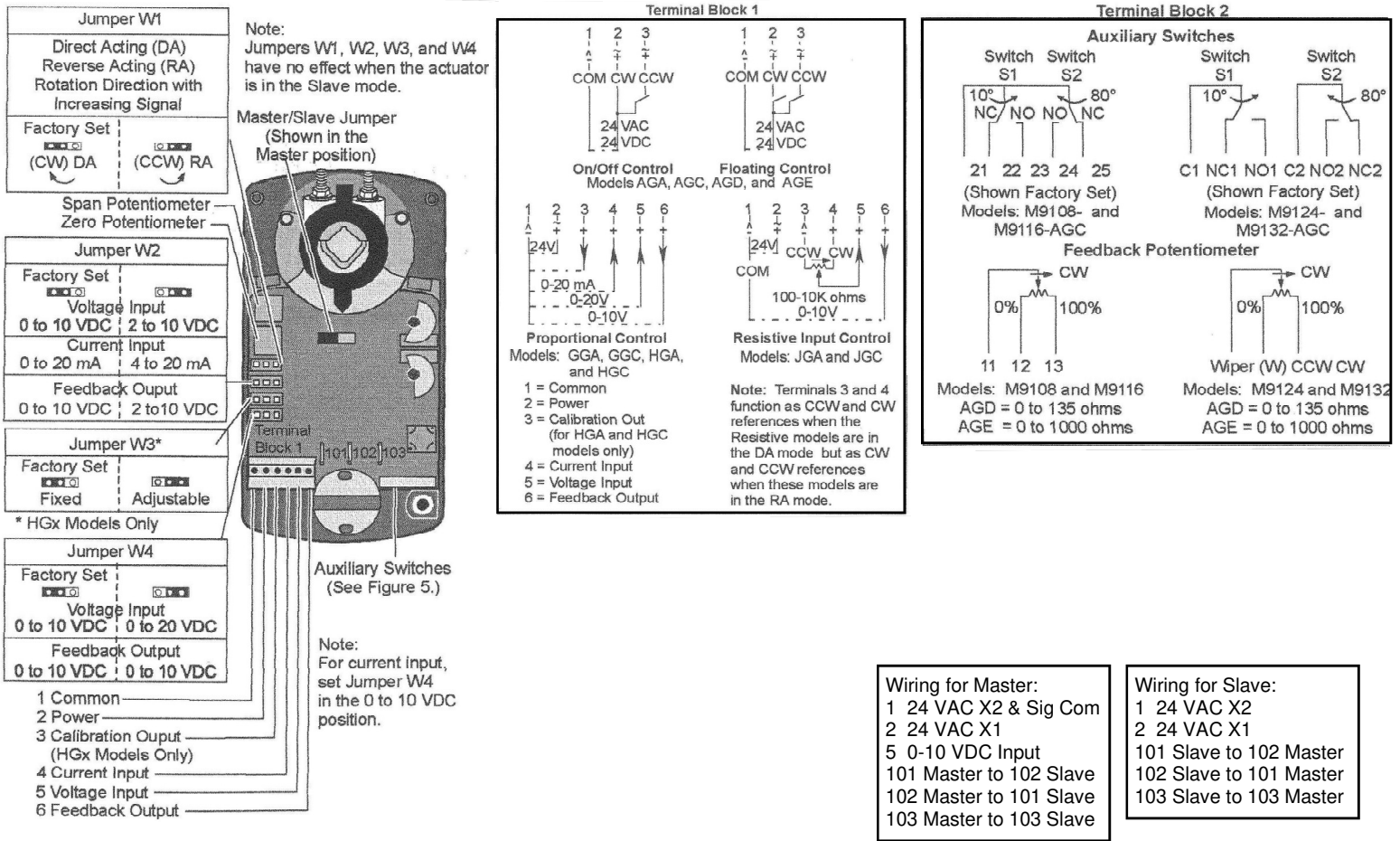
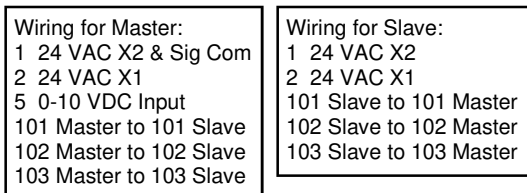
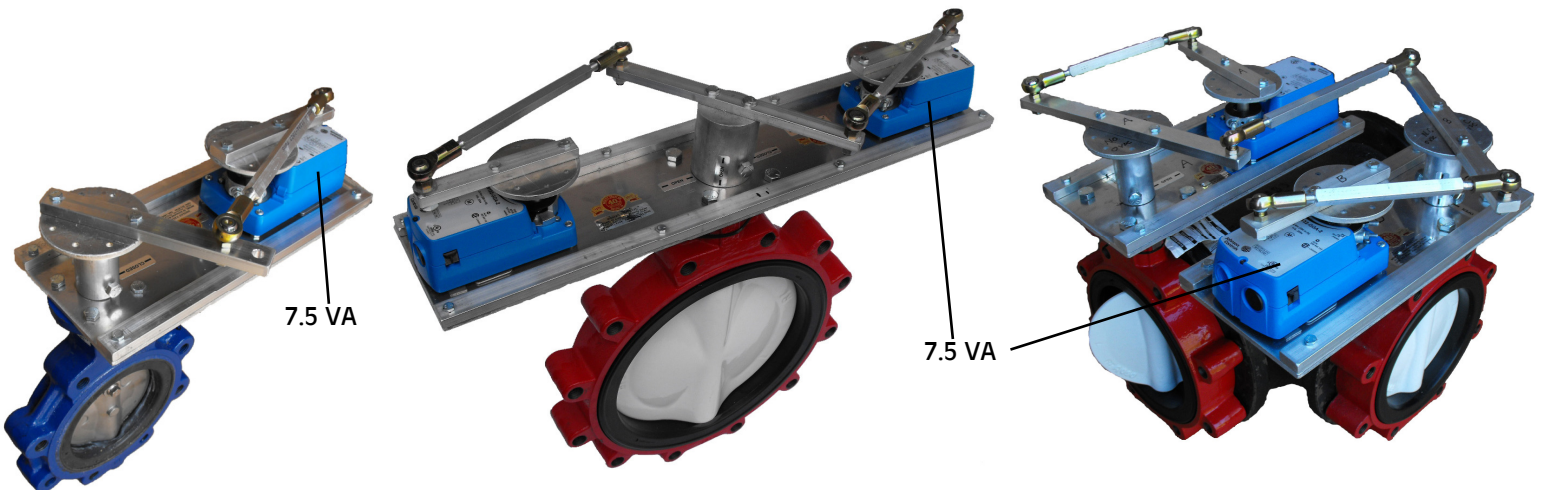


Figure 8: Settings on GGx and HGx Models

ACTUATORS IN TANDEM DRIVING OPPOSITE



ACTUATORS IN TANDEM DRIVING TOGETHER



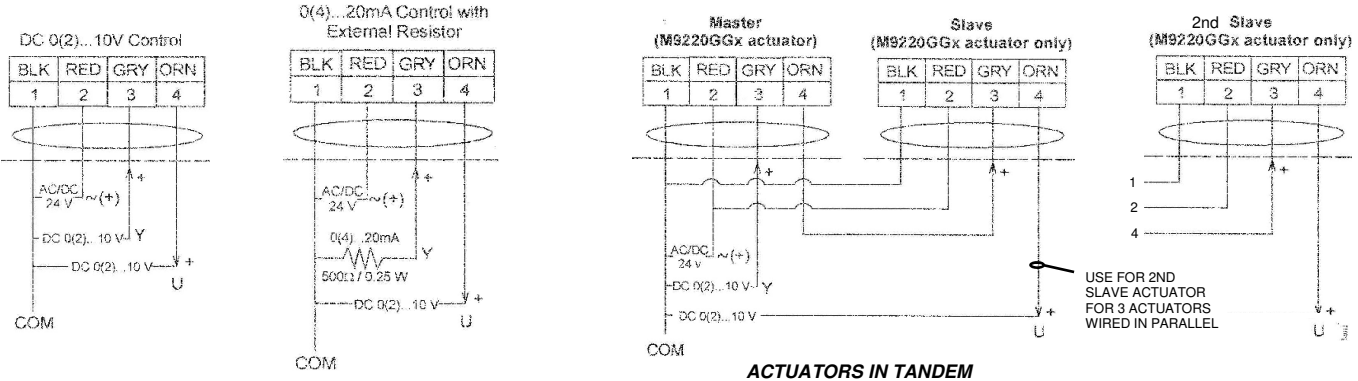
WESLEY VALVE CO.

MFGRS OF AUTOMATED BUTTERFLY VALVES
3229 North L Street
Pensacola, FL 32505
PHN: (404) 351-8744 FAX: (404) 351-9340

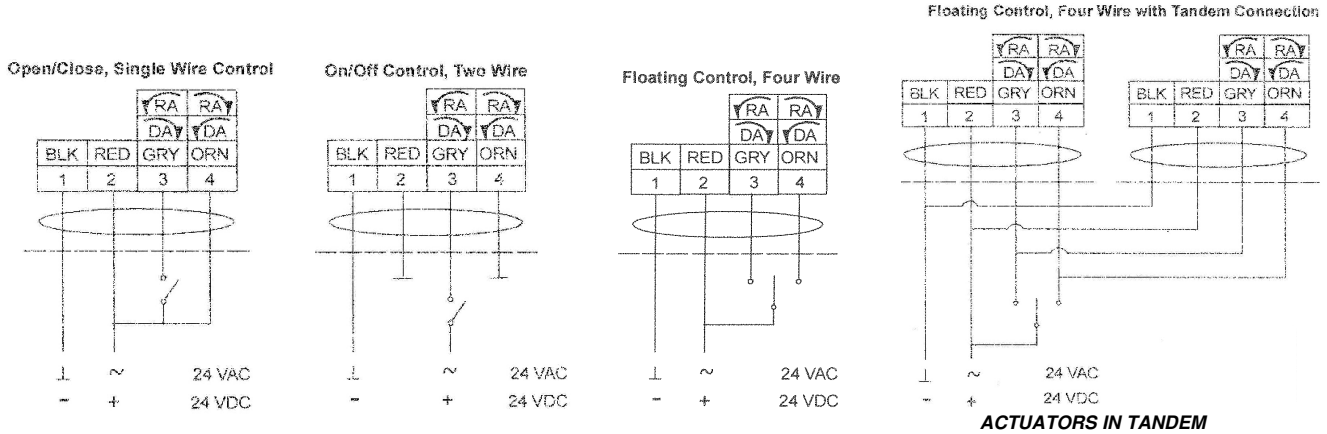
WWW.WESLEYVALVE.COM



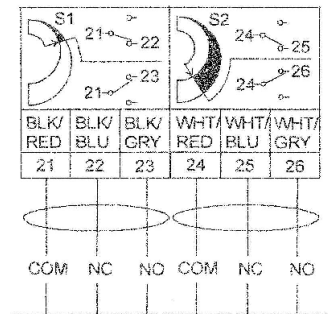
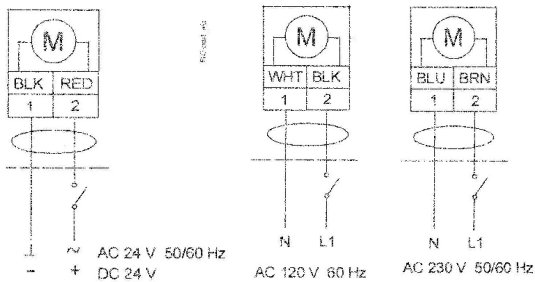
COUPLED SPRING RETURN ACTUATORS



WIRING FOR MODULATING SPRING RETURN DIRECT COUPLED ACTUATORS

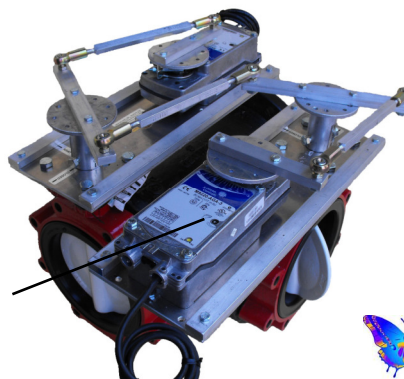
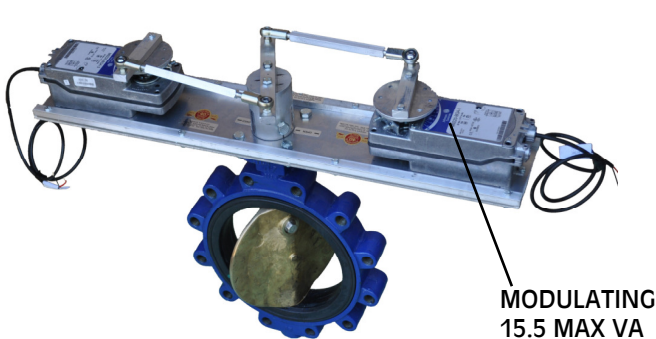


WIRING FOR FLOATING SPRING RETURN DIRECT COUPLED ACTUATORS



WIRING FOR ON-OFF SPRING RETURN DIRECT COUPLED ACTUATORS

WIRING FOR ALL SPRING RETURN DIRECT COUPLED ACTUATOR AUXILIARY CONTACTS



WESLEY VALVE CO.

MFGRS OF AUTOMATED BUTTERFLY VALVES
3229 North L Street
Pensacola, FL 32505
PHN: (404) 351-8744 FAX: (404) 351-9340
WWW.WESLEYVALVE.COM