

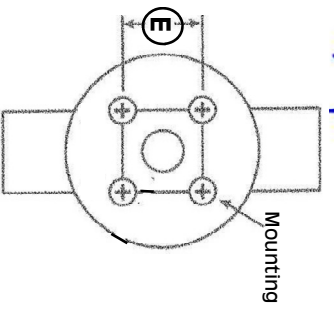
Existing Butterfly Valve Retrofit Worksheet

For Pneumatic or Electric Actuation

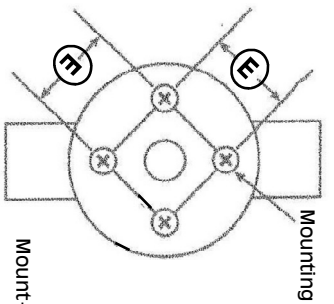
See a price or data sheet for selecting a part number

Valve Body Manufacturer _____
 List Co. Name if possible _____

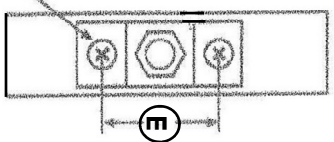
E _____ F _____ G _____ H _____ S _____



Style



Style

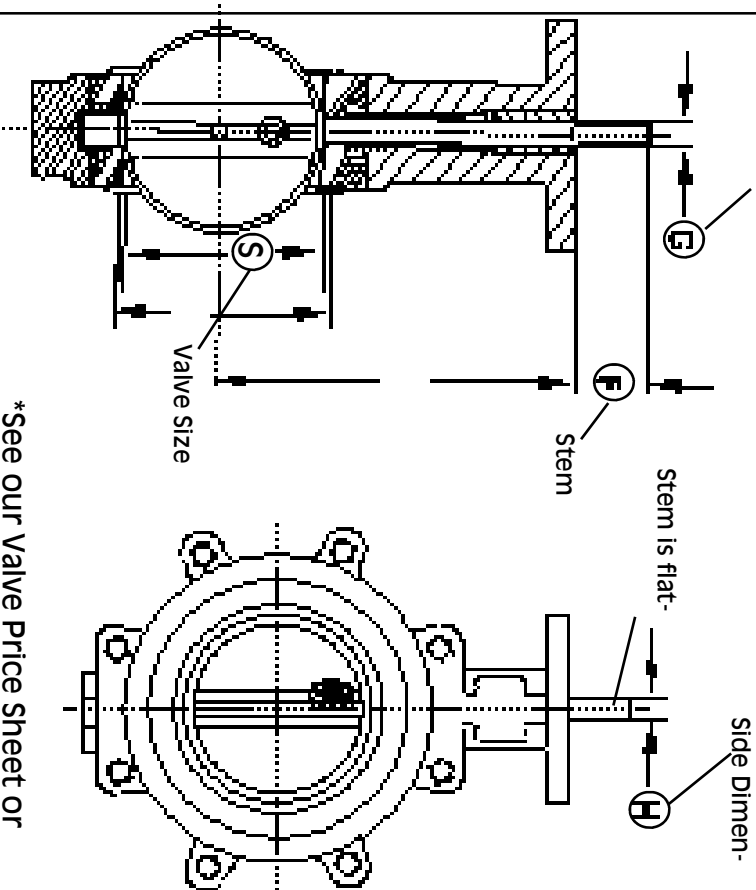


Style

Existing Butterfly Valve Yoke Mounting Hole

Please Circle below Valve Shaft

Full Stem Diameter **Type** Double D with Flat sides as

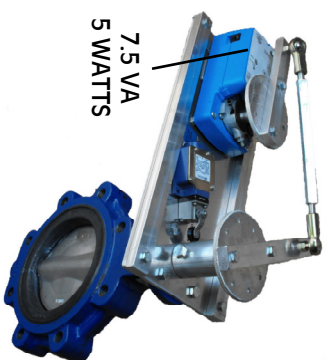


Note: "H" Dimension is for Valve Stems that are Flatted on each side (Double D)

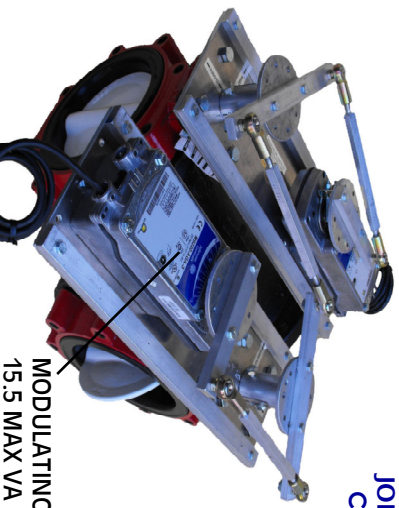
TEST EXISTING VALVE

Manually Open & Close Valve with a Short Wrench (8" Maximum Handle Length)

If Valve is Physically Difficult to Open & Close, Install Valve Assembly with New



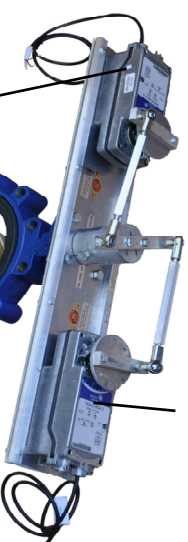
MODULATING
15.5 MAX VA



Replace Johnson Controls
V5650, V-210 & V5820 Stove-

*See our Valve Price Sheet or

2-POSITION
24.6 MAX VA
17.6 WATTS



MFGS OF AUTOMATED BUTTERFLY VALVES

3229 North L Street
Pensacola, FL 32505

PHN: (404) 351-8744 FAX: (404) 351-9340

WWW.WESLEYVALVE.COM