



# **-NOW AVAILABLE FOR SHIPMENT-**

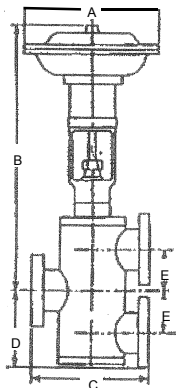
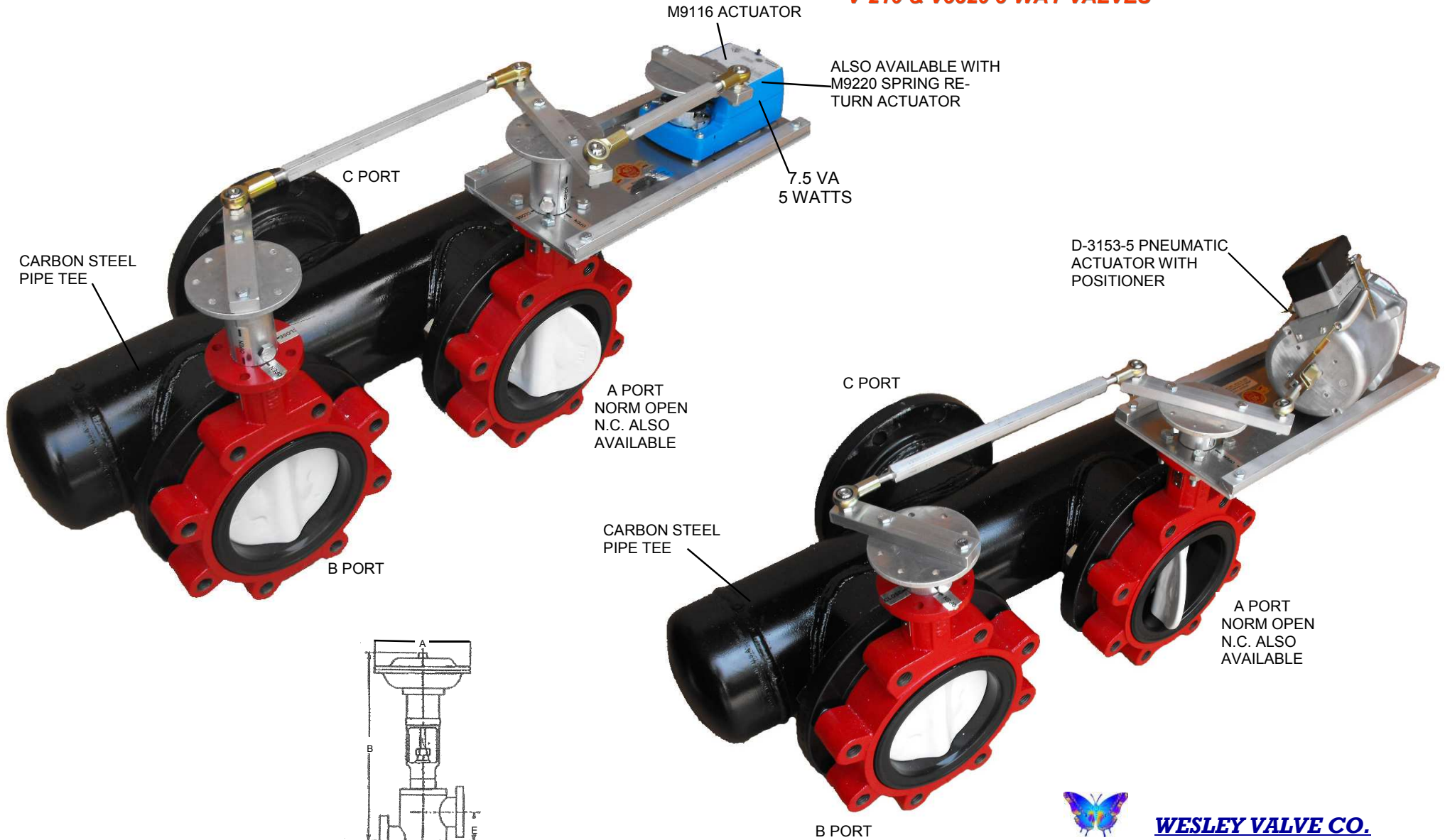
**REPLACEMENT FOR**

**JOHNSON  
CONTROLS**



**OBSOLETE V-5650 3-WAY VALVE**

**ALSO REPLACES OBSOLETE  
V-210 & V5820 3-WAY VALVES**



**OBSOLETE JCI V-5650**



**WESLEY VALVE CO.**

MFGRS OF AUTOMATED BUTTERFLY VALVES  
4938 S. Atlanta Rd., Ste. 100  
Atlanta, GA 30339  
PHN: (404) 351-8744 FAX: (404) 351-9340

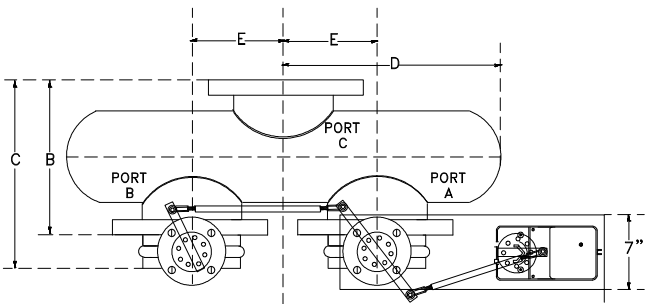
[www.wesleyvalve.com](http://www.wesleyvalve.com)

# REPLACEMENT FOR

**JOHNSON  
CONTROLS**



# OBSOLETE V-5650 VALVE



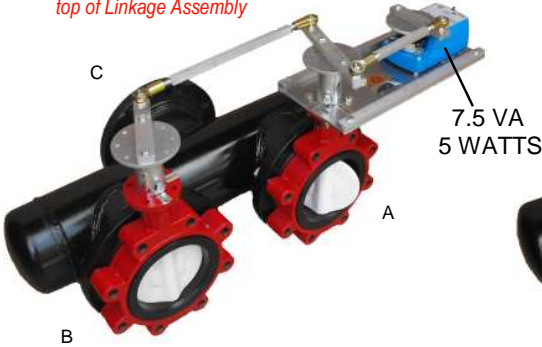
A DIMENSION FOR M9220 ELECTRIC ACTUATOR  
SUBTRACT 4" FOR M9116 ELECTRIC ACTUATOR  
SUBTRACT 3" FOR D-3153-5 PNEUMATIC ACTUATOR

VALVE SIZE IN.	MAX A DIM.	B DIM.	BRAY *C DIM.	KeyS *C DIM.	D DIM.	*E DIM.	Outer Flange Diameter	Max Close
2.5	19 5/16	7 3/8	9 1/8	9 3/16	10 1/2	4	7	125#
3	20 7/16	8 1/2	10 1/4	10 5/16	10 1/2	4 3/8	7 1/2	100#
4	22 3/16	10	12	12 1/16	12 3/4	5 1/4	9	90#
5	23 1/2	11 1/8	13 1/4	13 3/8	14 1/2	6 3/16	10	85#
6	25	12 5/8	14 3/4	14 7/8	16	7 1/4	11	75#

System pressure is normally not a resistance factor For 3-Way Valve Disc Closure.

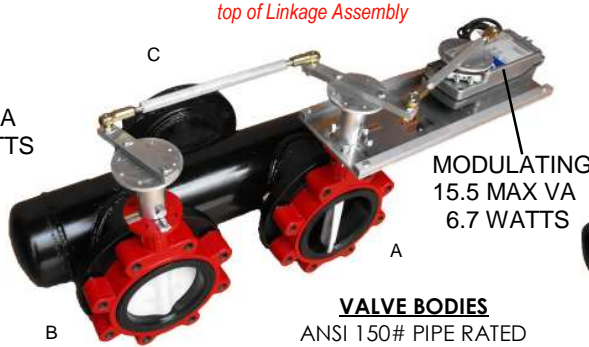
Ratings & Dimensions are Based on Bray S31-119 & Keystone 222 Valve Bodies

8" From top of Flange to top of Linkage Assembly



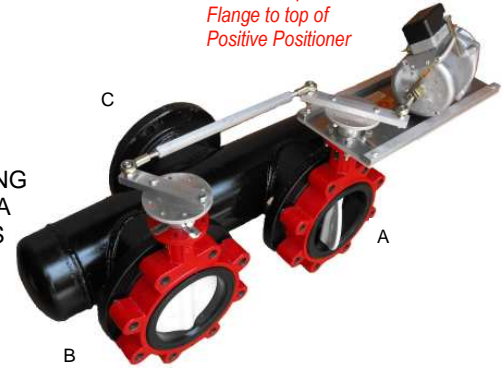
ASSEMBLY WITH JCI M9116 NON SPRING RETURN ACTUATOR

8.5" From top of Flange to top of Linkage Assembly



ASSEMBLY WITH JCI M9220 SPRING RETURN ACTUATOR

11" From top of Flange to top of Positive Positioner



ASSEMBLY WITH JCI D-3153-5 PNEUMATIC ACTUATOR

### VALVE BODIES

ANSI 150# PIPE RATED

## ALSO REPLACES OBSOLETE V-210, V-330 & V5820 3-WAY VALVES

### STANDARD VALVE FEATURES

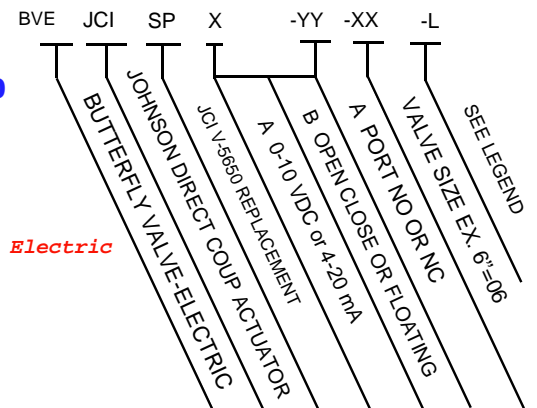
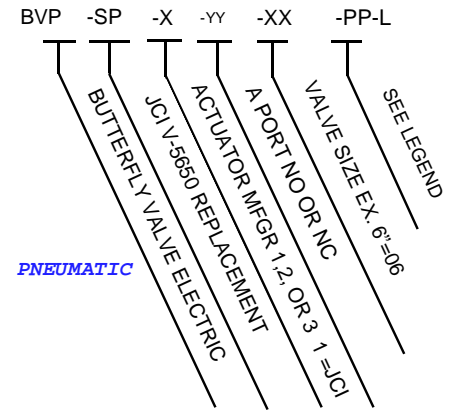
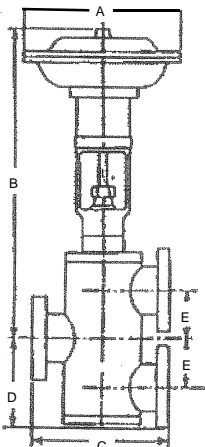
- EPDM Rubber liner
- Stainless Steel or Nylon Coated Disc
- Stainless Steel Shaft
- Full Threaded Lug

SIZE	CV VALUES							
2.5	282	163	107	67	43	24	11	1.5
3	461	267	154	96	61	35	15	2
4	841	496	274	171	109	62	27	3
5	1,376	775	428	268	170	98	43	5
6	1,850	1,025	567	354	225	129	56	6

For Best Modulating Control Results Valves Are Adjusted For 70 Deg Max Opening

### OBSOLETE JCI V-5650, V-210, V-330, & V5820 DIMENSIONS

SIZE IN.	MAX A DIM.	MAX B DIM.	*C DIM.	D DIM.	*E DIM.
2.5	16 1/2	32 13/16	9 1/4	7 1/2	4
3	16 1/2	33 7/16	10 3/8	8 1/8	4 3/8
4	16 1/2	34 11/16	12 1/8	9 3/4	5 1/4
5	16 1/2	36 9/16	13 1/2	11 3/8	6 3/16
6	16 1/2	38 5/16	15	13 1/8	7 1/4



### WESLEY VALVE CO.

MFGRS OF AUTOMATED BUTTERFLY VALVES  
4938 S. Atlanta Rd., Ste. 100  
Atlanta, GA 30339

PHN: (404) 351-8744 FAX: (404) 351-9340

[www.wesleyvalve.com](http://www.wesleyvalve.com)



**LEGEND**  
PP = Positive Positioner  
BS = Bump Switch  
WP = NEMA 4 Actuator  
B = Bray K = Keystone

Part Numbering System

Obsolete JCI V-5650 Valve