



## **NOW AVAILABLE FOR SHI SHIPMENT-**

### **AUTOMATED BUTTERFLY VALVES WITH *HONEYWELL* ACTUATORS**

**SPRING RETURN VALVE ASSEMBLIES AVAILABLE 2" THROUGH 12"**

**MN6120A, 7220A, 6134A, & 7234A NON-SPRING RETURN ACTUATORS  
MS8120A & 7520A SPRING RETURN ACTUATORS**

#### ***PRECISE CONTROL REQUIRES NUMEROUS MODULATING VALVE DISC REPOSITIONS —***

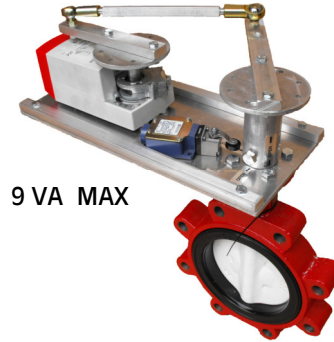
**90 TO 60 DEGREE (1.5 TO 1 RATIO) VALVE TURN ASSEMBLY**

**ACTUATOR HAS 4 TO 1  
LEVER OR TORQUE AD-  
VANTAGE FOR VALVE  
DISC BREAK-A-WAY  
FROM RUBBER LINER**

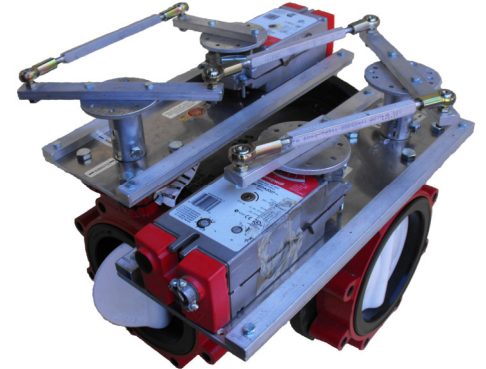
**2-POSITION  
40 VA MAX  
24 WATTS**

**ACTUATOR ROTATES  
90 DEGREES**

**60 VA MAX  
36 WATTS  
2-POSITION**



**9 VA MAX**



**VALVE DISC ROTATES 70 DEGREES**

**MODULATING  
16 VA MAX**

***NEMA 2 RATED ACTUATOR HOUSING***

#### **ADVANTAGE OF SELECTING A VALVE ASSEMBLY WITH**

#### **Honeywell *MN & MS* ACTUATORS**

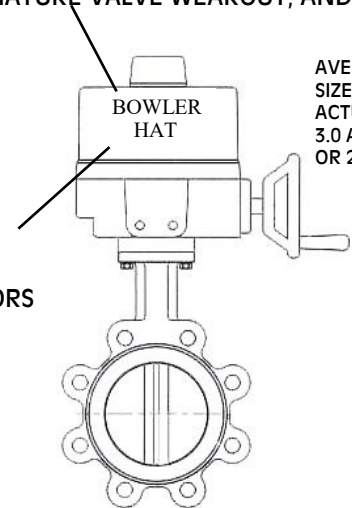
- A. Valve Assembly at Low Cost
- B.) Superior Modulating Resolution for 0-10 VDC/4-20mA Control Signals
- C.) Minimal Replacement of Actuator During Warranty Period
- D.) 20 Year Life Expectancy

#### **DID YOU KNOW ?**

***WESLEY VALVE CO.* IS THE ONLY SUPPLIER OF AUTOMATED BUTTERFLY VALVE ASSEMBLIES WITH *HONEYWELL* ACTUATORS LARGER THAN 5" (FIVE INCHES)**

**BUTTERFLY VALVE ASSEMBLIES WITH 1/4 TURN BOWLER HAT TYPE ACTUATORS HAVE A LIMITED AMOUNT OF MODULATING VALVE DISC REPOSITIONS (RESOLUTION) RESULT-ING IN EXCESSIVE VALVE CYCLING, PREMATURE VALVE WEAROUT, AND BURN**

**REQUIRES ELECTRIC ANTI CONDENSATE HEATER FOR OUTDOORS OR HIGH HUMIDITY**



**AVERAGE  
SIZE 120 VAC  
ACTUATOR  
3.0 AMP DRAW  
OR 215 WATTS**

**90 DEG 1/4 TURN VALVE ASSEMBLIES WITH BOWLER HAT TYPE ACTUATORS ARE NOT RECOMMENDED WHERE TIGHT & STABLE FLOW CONTROL IS**



#### **WESLEY VALVE CO.**

**MFGRS OF AUTOMATED BUTTERFLY VALVES  
3229 North L Street  
Pensacola, FL 32505**

**PHN: (404) 351-8744 FAX: (404) 351-9340**

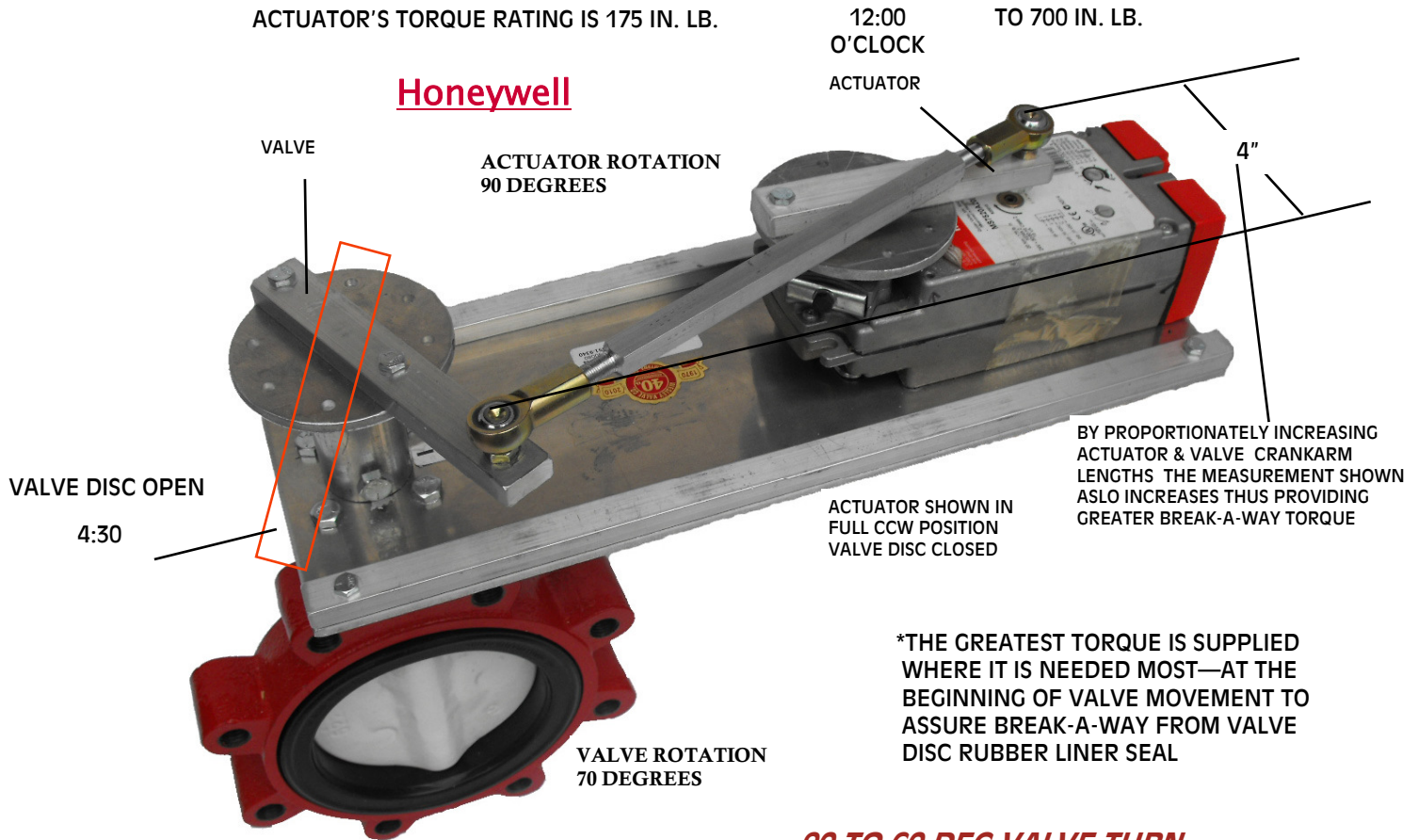
**[WWW.WESLEYVALVE.COM](http://WWW.WESLEYVALVE.COM)**

# USING LEVER ADVANTAGE TO INCREASE TORQUE AND IMPROVE CONTROL

**DIRECT COUPLED ACTION AS DESIGNED**  
**Honeywell** SERIES MS SPRING RETURN  
 ACTUATOR'S TORQUE RATING IS 175 IN. LB.

**REMOTE ROTARY ACTION**  
 BREAK-A-WAY TORQUEING  
 ADVANTAGE QUADRUPLES  
 TO 700 IN. LB.

**Honeywell**



**VALVE MID POSITION TO OPEN**  
 VALVE DISC AT MID POSITION TO OPEN—TORQUEING

**90 TO 60 DEG VALVE TURN**  
**ASSEMBLY INCREASES DISC**

## BUTTERFLY VALVE 2-WAY VALVE ASSEMBLY

**AUTOMATED BUTTERFLY VALVES WITH Honeywell ACTUATORS**

**SPRING RETURN VALVE ASSEMBLIES AVAILABLE 2" THROUGH 12"**



**WESLEY VALVE CO.**

MFGRS OF AUTOMATED BUTTERFLY VALVES  
 3229 North L Street  
 Pensacola, FL 32505

PHN: (404) 351-8744 FAX: (404) 351-9340

[WWW.WESLEYVALVE.COM](http://WWW.WESLEYVALVE.COM)

# SPRING RETURN VALVE ASSEMBLIES

## 2 TO 12" AVAILABLE

### APPLICATIONS

- A. IDEALLY SUITED FOR CHILLER & COOLING TOWER ISOLATION
- B. COOLING TOWER MODULATING 3-WAY DIVERTING VALVE CONTROL

#### **DIRECT COUPLED ACTION AS DESIGNED**

HONEYWELL MS SERIES SPRING RETURN ACTUATOR  
TORQUE RATING IS 175 IN. LB.  
DUAL ACTUATOR TORQUE RATING IS 350 IN. LB.

#### **REMOTE ROTARY ACTION**

BREAK-A-WAY TORQUEING  
ADVANTAGE QUADRUPLES TO

#### **VALVE MID POSITION TO OPEN**

VALVE DISC AT MID POSITION TO OPEN—TORQUEING  
ADVANTAGE DECREASES AT WORST TO (1.5 TO 1) 262 IN. LB.  
OR 525 IN. LB. FOR DUAL ACTUATORS

### Honeywell

#### **ACTUATORS**

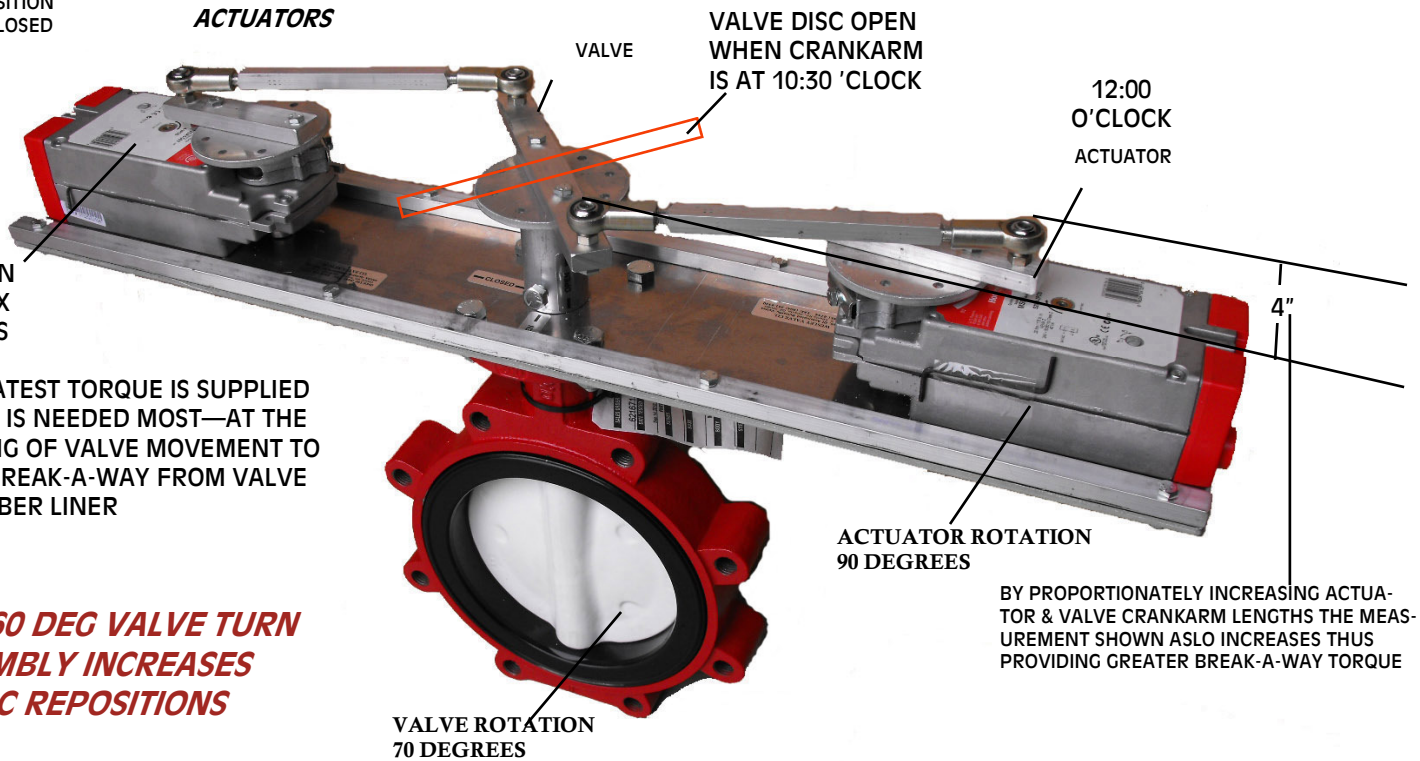
ACTUATORS SHOWN IN  
FULL CCW POSITION  
VALVE DISC CLOSED

MODULATING 60 VA MAX  
16 VA MAX 36 WATTS  
2-POSITION

2-POSITION  
40 VA MAX  
24 WATTS

\*THE GREATEST TORQUE IS SUPPLIED  
WHERE IT IS NEEDED MOST—AT THE  
BEGINNING OF VALVE MOVEMENT TO  
ASSURE BREAK-A-WAY FROM VALVE  
DISC RUBBER LINER

**90 TO 60 DEG VALVE TURN  
ASSEMBLY INCREASES  
DISC REPOSITIONS**



## BUTTERFLY VALVE

### 2-WAY VALVE ASSEMBLY

**AUTOMATED BUTTERFLY VALVES WITH Honeywell MN & MS ACTUATORS**

**SPRING RETURN VALVE ASSEMBLIES AVAILABLE 2" THROUGH 12"**



### WESLEY VALVE CO.

MFGRS OF AUTOMATED BUTTERFLY VALVES  
3229 North L Street  
Pensacola, FL 32505  
PHN: (404) 351-8744 FAX: (404) 351-9340  
[WWW.WESLEYVALVE.COM](http://WWW.WESLEYVALVE.COM)