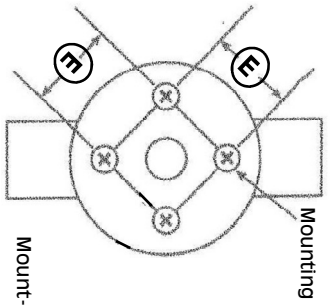
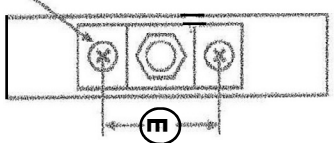


Style



Style

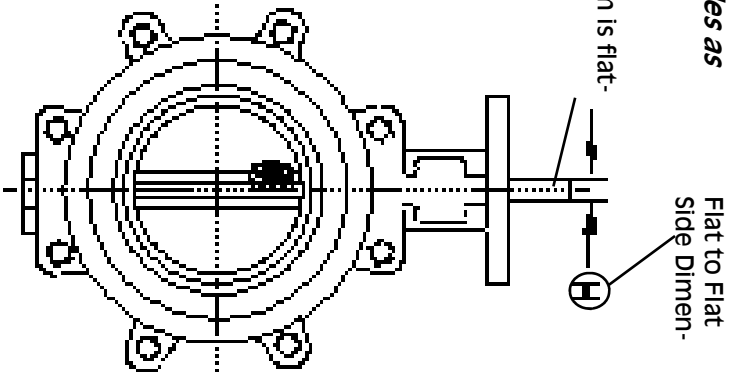
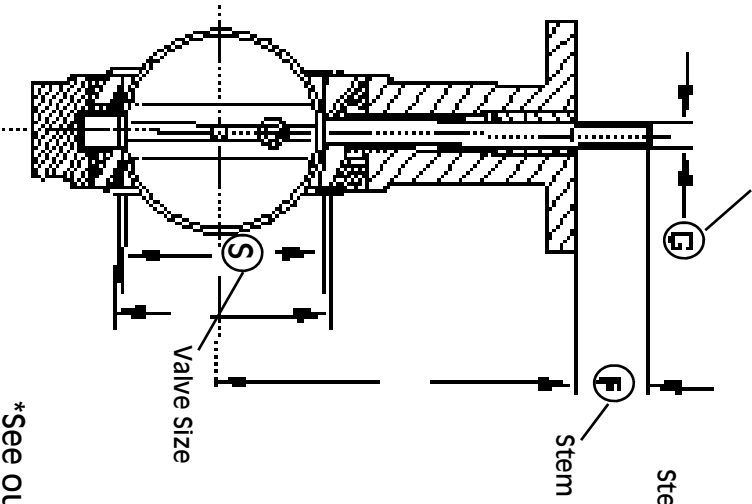


Style

Existing Butterfly Valve Yoke Mounting Hole

Full Stem Diameter
Type Double D with Flat sides as

Please Circle below Valve Shaft



*See our Valve Price Sheet Or

Existing Butterfly Valve Retrofit Work-sheet

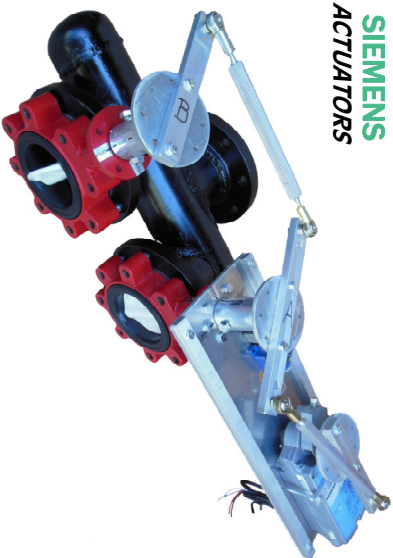
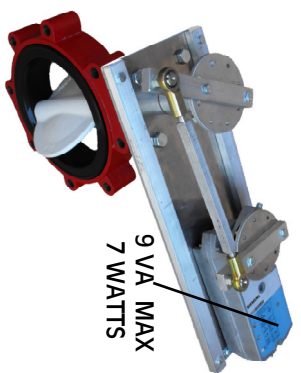
For Pneumatic or Electric Actuation
 See a price or data sheet for selecting a part number

Valve Body Manufacturer _____
 List Co. Name if Possible _____

E _____ F _____ G _____ H _____ S _____

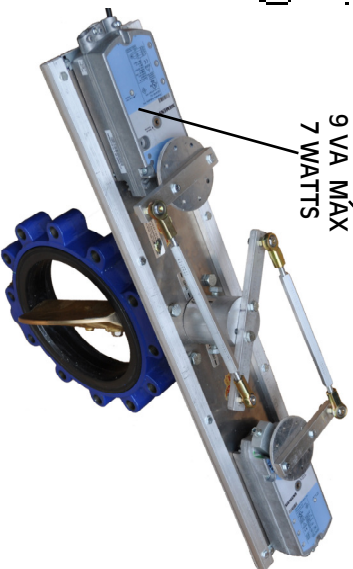
Note: "H" Dimension is for Valve Stems that are Flatted on each side (Double D)

TEST EXISTING VALVE
 Manually Open & Close Valve with a Short Wrench (8" Maximum Handle length)
 If Valve is Physically Difficult to Open & Close, Install Valve Assembly with New



SIEMENS ACTUATORS

Replace Johnson Controls
 V5650, V-210, V-330, & V5820



9 VA MAX
 7 WATTS



WESLEY VALVE CO.

MFGRS OF AUTOMATED BUTTERFLY VALVES
 3229 North L Street
 Pensacola, FL 32505
 PHN: (404) 351-8744 FAX: (404) 351-9340
WWW.WESLEYVALVE.COM