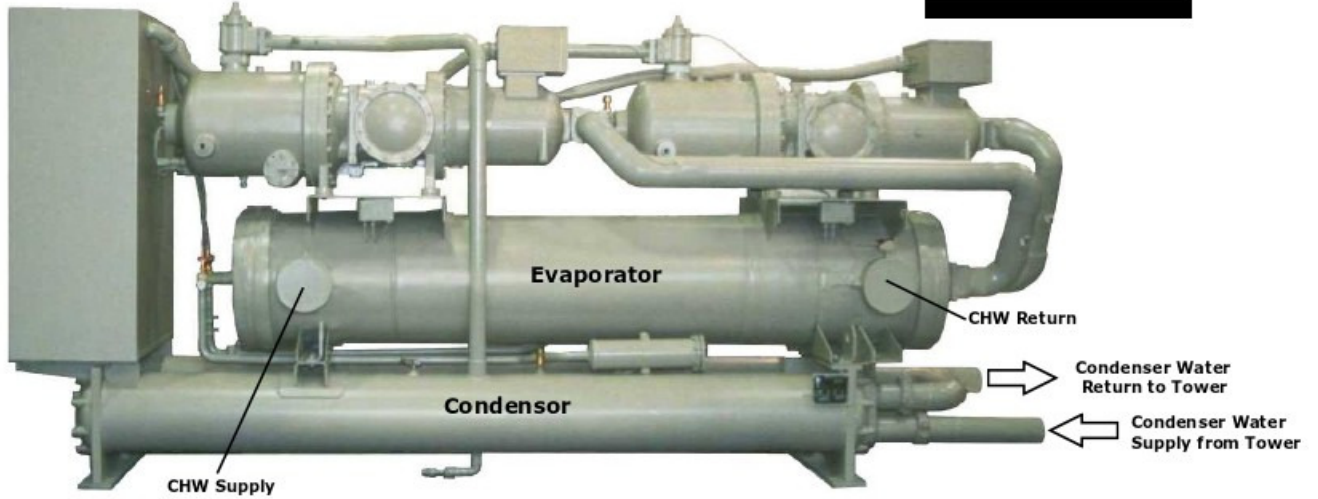
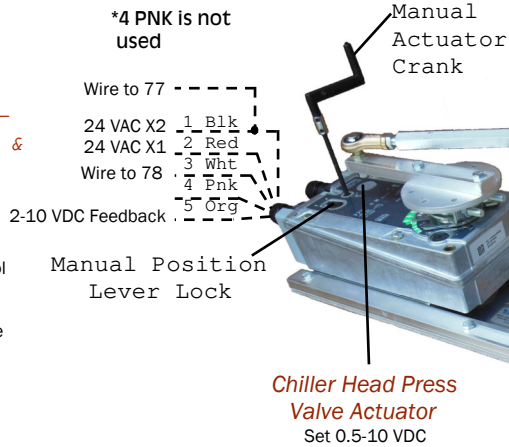


# HEAD PRESSURE VALVE WIRING FOR SCREW CHILLERS



*Add 500 Ohm Resistor between 1 Blk & 3 Wht for Chiller 4-20 mA Signal*



Chiller Control Panel TB1  
Is 0-10 VDC Signal Source (78+ & 77-)

## CONDENSOR WATER VALVE



ACTUATOR HAS 4 TO 1 LEVER

90 DEG ACTUATOR TO 60 DEG VALVE ROTATION OR A 1.5 TO 1 RATIO INCREASES THROTTLING DISC REPOSITIONS

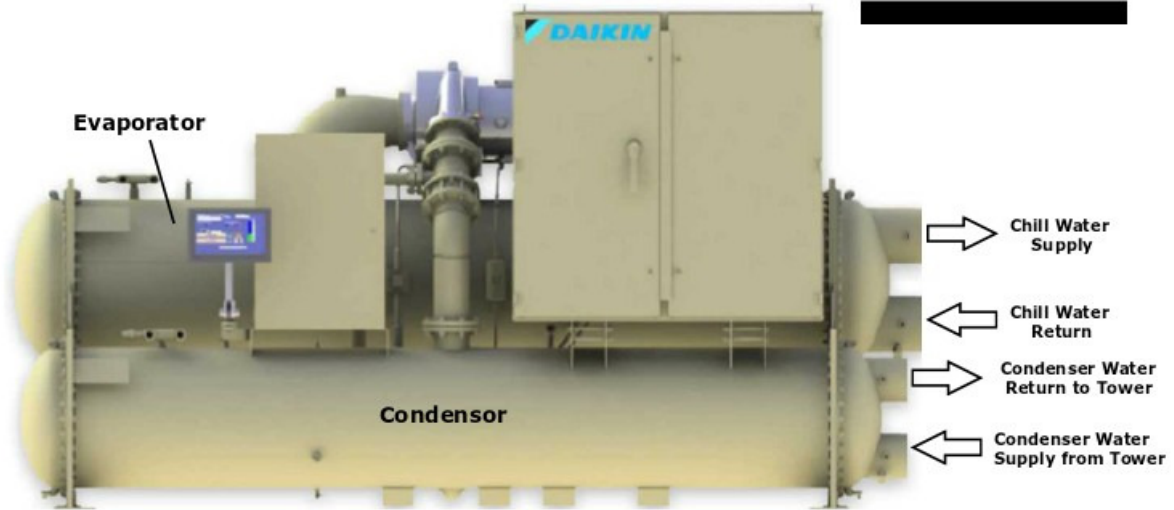
*Locate Chiller Head Press Valve in Condenser Water Return Line*



**WESLEY VALVE CO.**

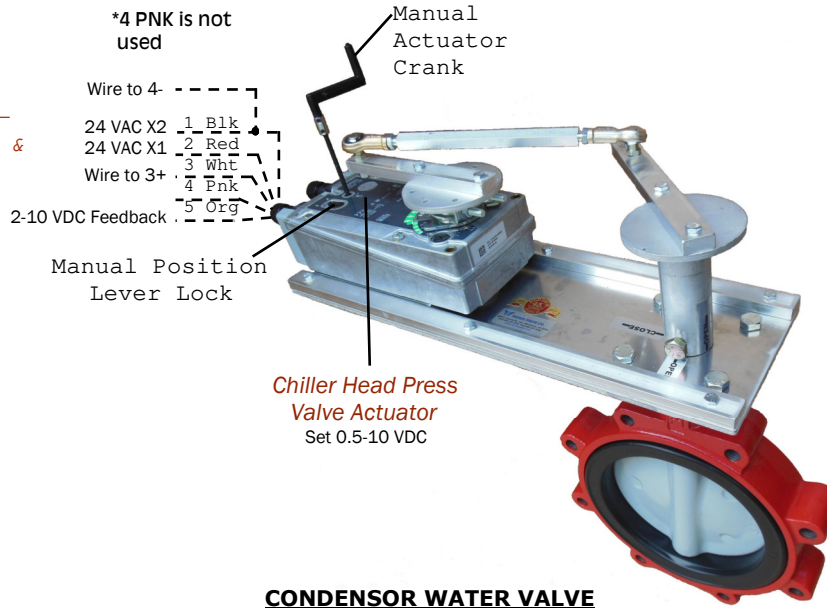
MFGRS OF AUTOMATED BUTTERFLY VALVES  
3229 North L Street  
Pensacola, FL 32505  
PHN: (404) 351-8744 FAX: (404) 351-9340  
[www.wesleyvalve.com](http://www.wesleyvalve.com)

# HEAD PRESSURE VALVE WIRING FOR MAGNITUDE CENTRIFUGAL CHILLERS



*Add 500 Ohm Resistor between 1 Blk & 3 Wht for Chiller 4-20 mA Signal*

Chiller Micotech Control Panel J23 Is 0-10 VDC Signal Source (3+ & 4-)



ACTUATOR HAS 4 TO 1 LEVER

90 DEG ACTUATOR TO 60 DEG VALVE ROTATION OR A 1.5 TO 1 RATIO INCREASES THROTTLING DISC REPOSITIONS

## CONDENSOR WATER VALVE

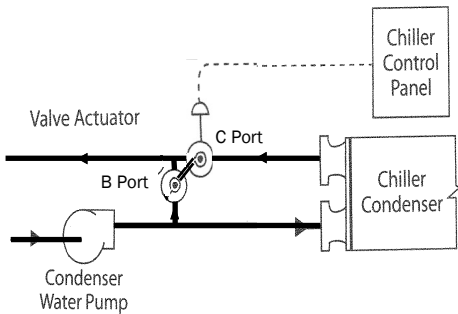
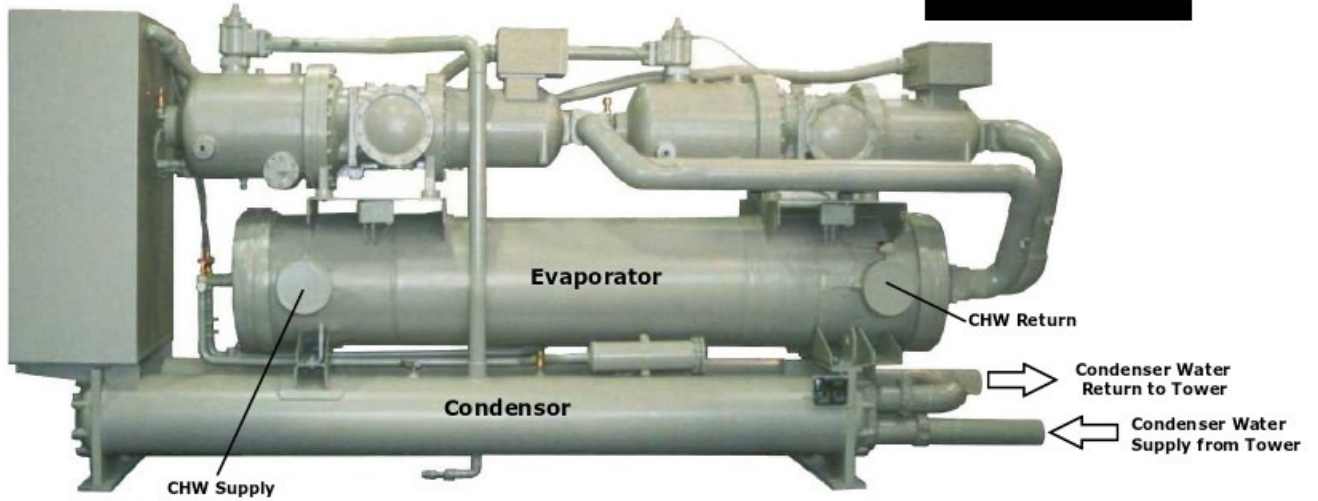
*Locate Chiller Head Press Valve in Condenser Water Return Line*



**WESLEY VALVE CO.**

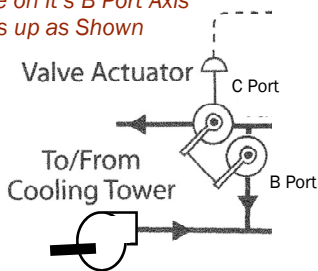
MFGRS OF AUTOMATED BUTTERFLY VALVES  
3229 North L Street  
Pensacola, FL 32505  
PHN: (404) 351-8744 FAX: (404) 351-9340  
[www.wesleyvalve.com](http://www.wesleyvalve.com)

# HEAD PRESSURE VALVE WIRING FOR SCREW CHILLERS



**CORRECT 3-WAY VALVE PIPING**

*During Pipe Installation, DO NOT Spin the Valve on it's B Port Axis so that it ends up as Shown*



**INCORRECT 3-WAY VALVE PIPING**

*Add 500 Ohm Resistor between 1 Blk & 3 Wht for Chiller 4-20 mA Signal*

ACTUATOR HAS 4 TO 1 LEVER

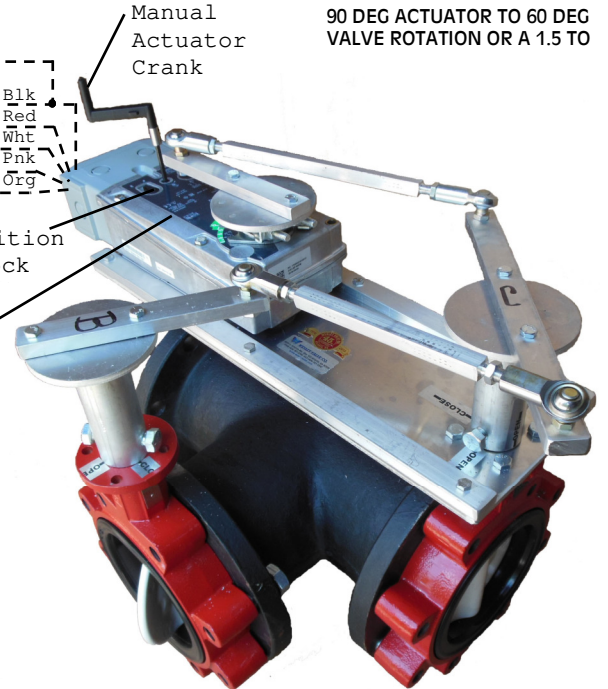
90 DEG ACTUATOR TO 60 DEG VALVE ROTATION OR A 1.5 TO

\*4 PNK is not used

Chiller Control Panel TB1	Wire to 77	1 Blk
Is 0-10 VDC	24 VAC X2	2 Red
Signal Source (78+ & 77-)	24 VAC X1	3 Wht
	Wire to 78	4 Pnk
	2-10 VDC Feedback	5 Org

Manual Position Lever Lock

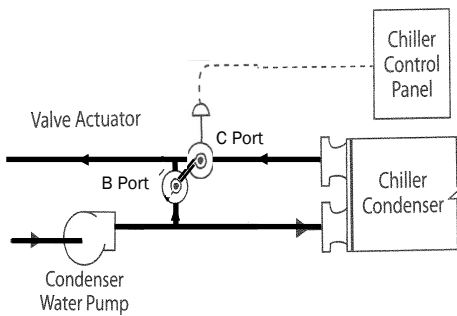
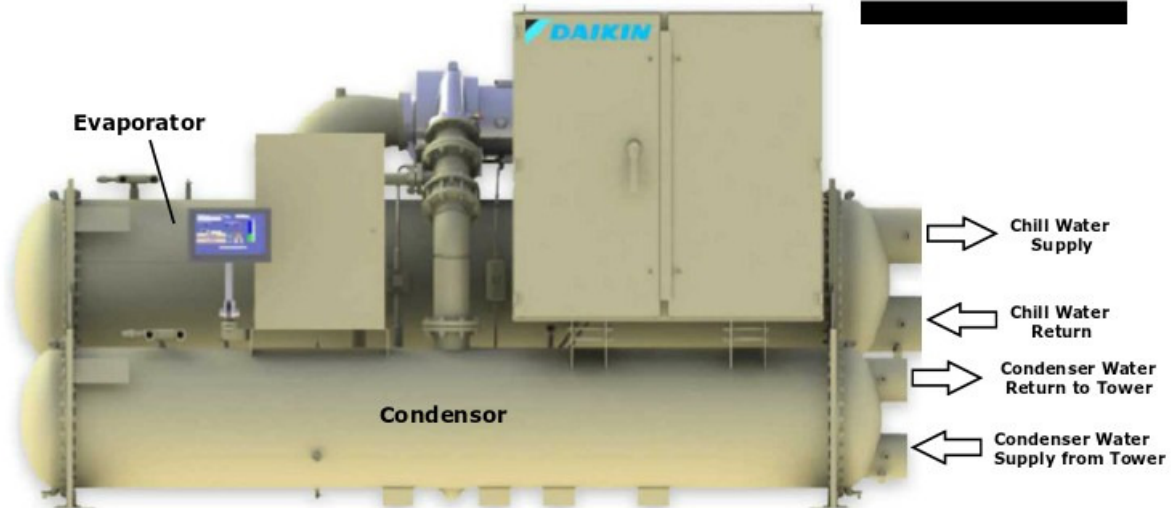
Chiller Head Press Valve Actuator Set 0.5-10 VDC



**WESLEY VALVE CO.**

MFGRS OF AUTOMATED BUTTERFLY VALVES  
 3229 North L Street  
 Pensacola, FL 32505  
 PHN: (404) 351-8744 FAX: (404) 351-9340  
[www.wesleyvalve.com](http://www.wesleyvalve.com)

# HEAD PRESSURE VALVE WIRING FOR MAGNITUDE CENTRIFUGAL CHILLERS



**CORRECT 3-WAY VALVE PIPING**

Add 500 Ohm Resistor between 1 Blk & 3 Wht for Chiller 4-20 mA Signal

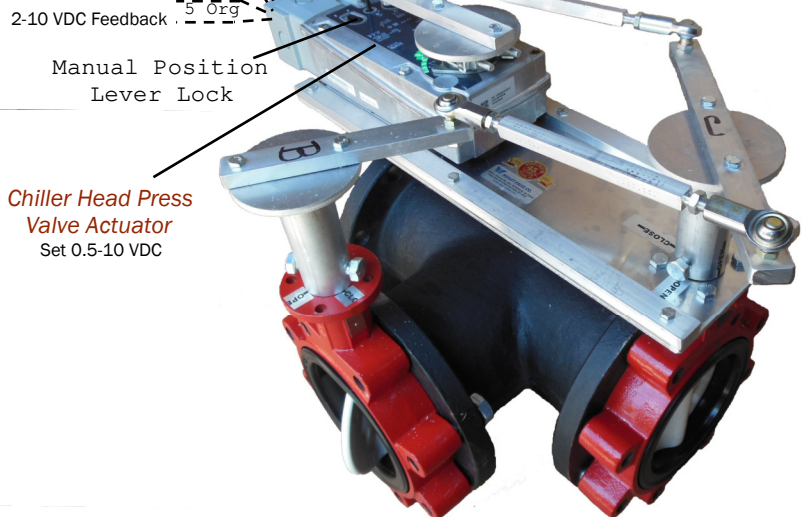
ACTUATOR HAS 4 TO 1 LEVER

Chiller Micotech Control Panel J23 Is 0-10 VDC Signal Source (3+ & 4-)

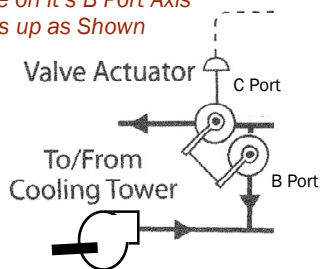
\*4 PNK is not used

- Wire to 4- : 1 Blk
- 24 VAC X2 : 2 Red
- 24 VAC X1 : 3 Wht
- Wire to 3+ : 4 Pnk
- 2-10 VDC Feedback : 5 Org

90 DEG ACTUATOR TO 60 DEG VALVE ROTATION OR A 1.5 TO



During Pipe Installation, DO NOT Spin the Valve on it's B Port Axis so that it ends up as Shown



**INCORRECT 3-WAY VALVE PIPING**



**WESLEY VALVE CO.**

MFGRS OF AUTOMATED BUTTERFLY VALVES  
 3229 North L Street  
 Pensacola, FL 32505  
 PHN: (404) 351-8744 FAX: (404) 351-9340  
[www.wesleyvalve.com](http://www.wesleyvalve.com)