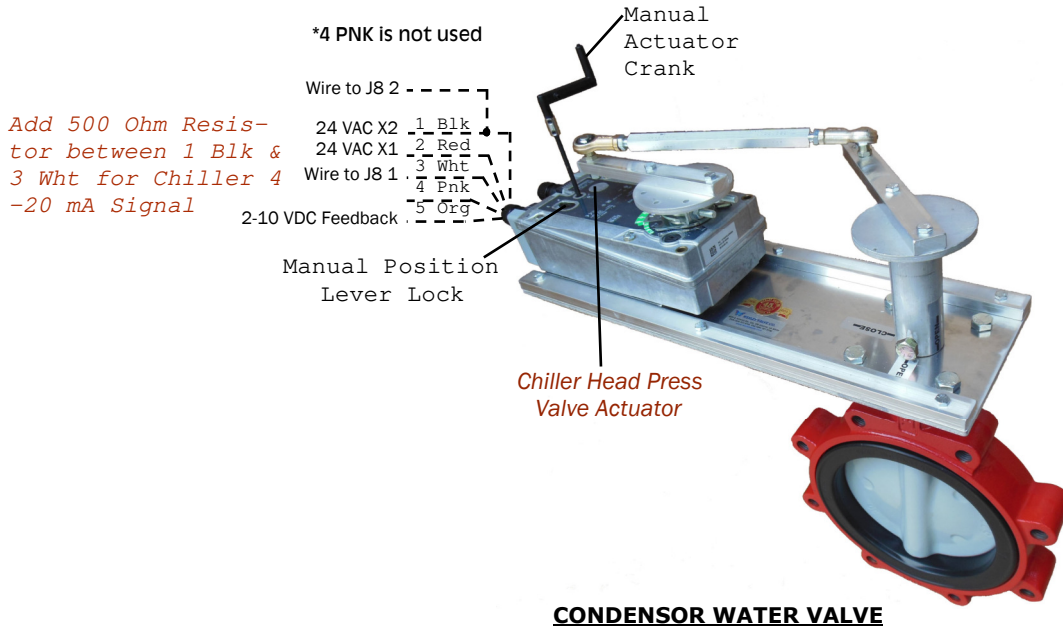


# YORK YVWA SCREW CHILLER



*Locate Chiller Head Press Valve  
in Condenser Water Return Line*



ACTUATOR HAS 4 TO 1 LEVER

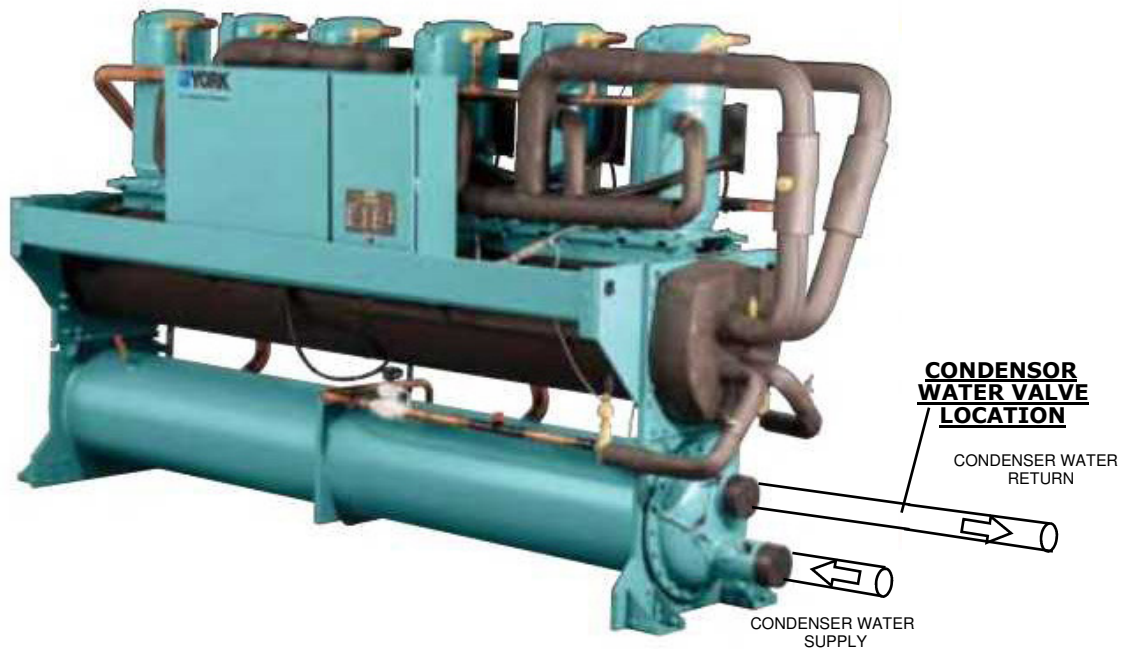
90 DEG ACTUATOR TO 60 DEG VALVE ROTATION OR A 1.5 TO 1 RATIO INCREASES THROTTLING DISC REPOSITIONS



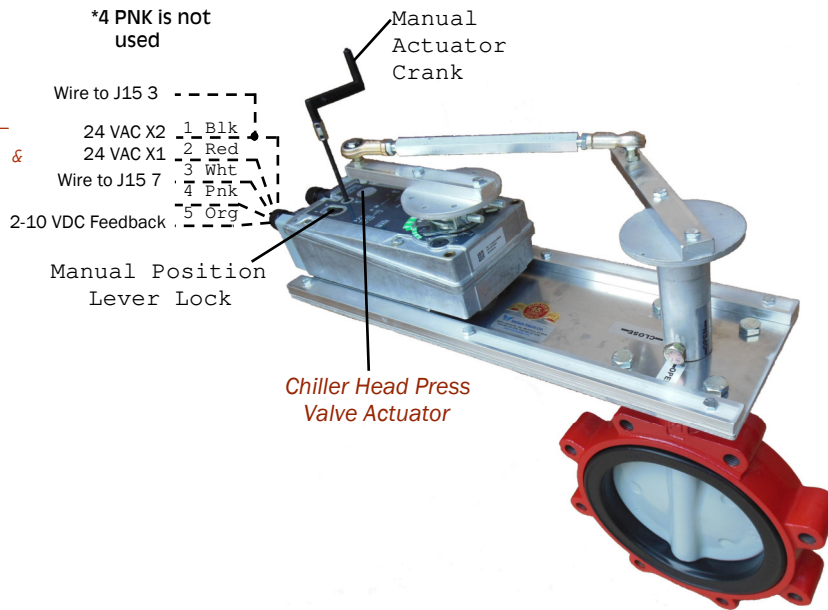
**WESLEY VALVE CO.**

MFGRS OF AUTOMATED BUTTERFLY VALVES  
3229 North L Street  
Pensacola, FL 32505  
PHN: (404) 351-8744 FAX: (404) 351-9340  
[www.wesleyvalve.com](http://www.wesleyvalve.com)

# YORK YCRL LIQUID SCROLL CHILLER



*Add 500 Ohm Resistor between 1 Blk & 3 Wht for Chiller 4-20 mA Signal*



ACTUATOR HAS 4 TO 1 LEVER

90 DEG ACTUATOR TO 60 DEG VALVE ROTATION OR A 1.5 TO 1 RATIO INCREASES THROTTLING DISC REPOSITIONS

## CONDENSOR WATER VALVE



**WESLEY VALVE CO.**

MFGRS OF AUTOMATED BUTTERFLY VALVES

3229 North L Street

Pensacola, FL 32505

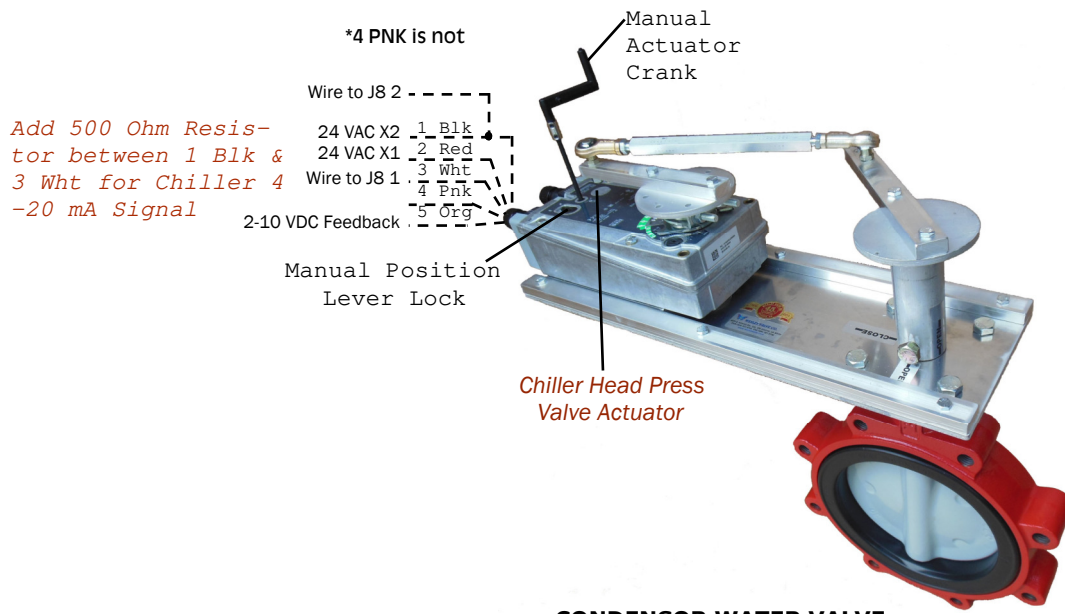
PHN: (404) 351-8744 FAX: (404) 351-9340

[WWW.WESLEYVALVE.COM](http://WWW.WESLEYVALVE.COM)

# YORK YK CENTRIFUGAL CHILLER



*Locate Chiller Head Press Valve  
in Condenser Water Return Line*



*Add 500 Ohm Resis-  
tor between 1 Blk &  
3 Wht for Chiller 4  
-20 mA Signal*

ACTUATOR HAS 4 TO 1 LEVER

90 DEG ACTUATOR TO 60 DEG  
VALVE ROTATION OR A 1.5 TO  
1 RATIO INCREASES THROT-  
TLING DISC REPOSITIONS

## CONDENSOR WATER VALVE





**WESLEY VALVE CO.**

MFGRS OF AUTOMATED BUTTERFLY VALVES  
3229 North L Street  
Pensacola, FL 32505  
PHN: (404) 351-8744 FAX: (404) 351-9340  
[www.wesleyvalve.com](http://www.wesleyvalve.com)

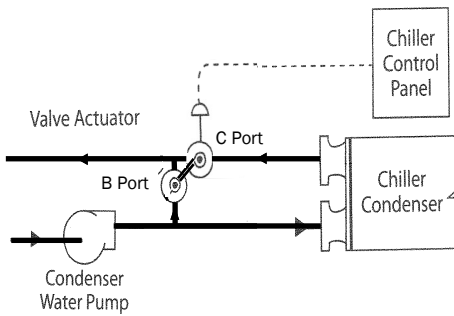
# YORK YVWA SCREW CHILLER



CONDENSER WATER RETURN  
  
 CONDENSER WATER SUPPLY  


Add 500 Ohm Resistor  
 between 1 Blk & 3 Wht  
 or J8 1 & J8 2 for  
 Chiller 4-20 mA Signal

ACTUATOR HAS 4 TO 1 LEVER



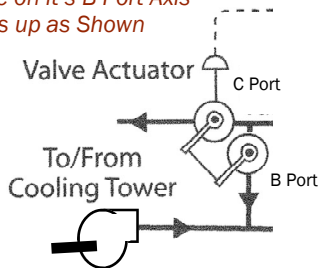
CORRECT 3-WAY VALVE PIPING

\*4 PNK is not used  
 Wire to J8 2 -  
 24 VAC X2 1 Blk  
 24 VAC X1 2 Red  
 Wire to J8 1 - 3 Wht  
 4 Pnk  
 5 Org  
 2-10 VDC Feedback

90 DEG ACTUATOR TO 60 DEG  
 VALVE ROTATION OR A 1.5 TO  
 1 RATIO INCREASES THROTTLING  
 DISC REPOSITIONS

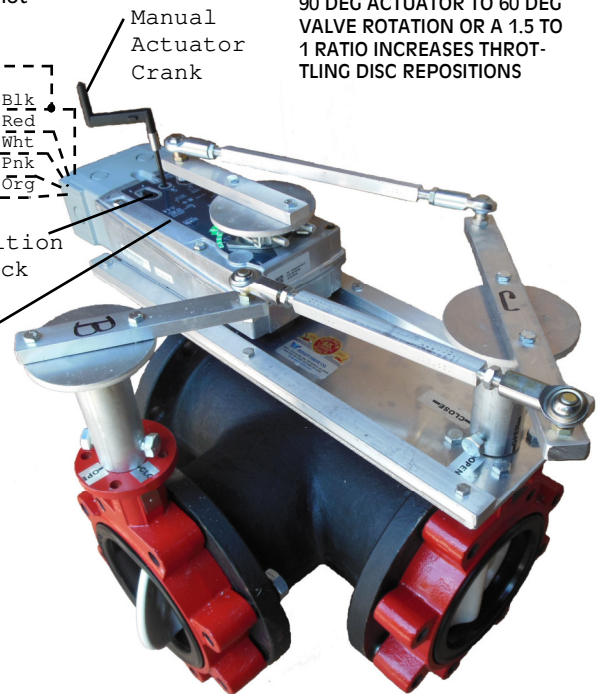
Manual Position  
 Lever Lock

During Pipe Installation, DO NOT  
 Spin the Valve on it's B Port Axis  
 so that it ends up as Shown



INCORRECT 3-WAY VALVE PIPING

Chiller Head Press  
 Valve Actuator  
 Set 0.5-10 VDC



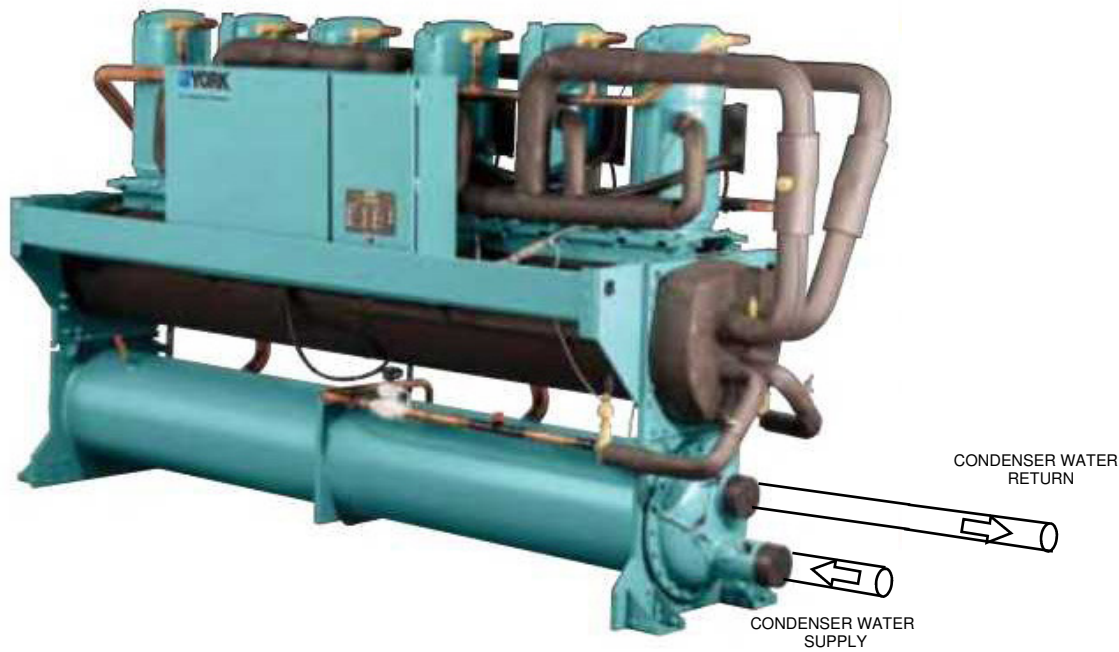
CONDENSOR WATER VALVE



**WESLEY VALVE CO.**

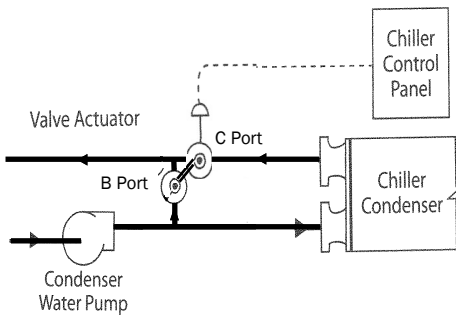
MFGRS OF AUTOMATED BUTTERFLY VALVES  
 3229 North L Street  
 Pensacola, FL 32505  
 PHN: (404) 351-8744 FAX: (404) 351-9340  
[www.wesleyvalve.com](http://www.wesleyvalve.com)

# YORK YCRL LIQUID SCROLL CHILLER

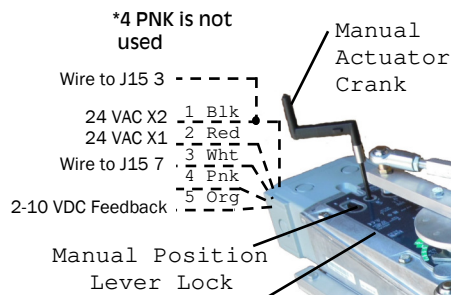


*Add 500 Ohm Resistor  
between 1 Blk & 3 Wht  
or J15 3 & J15 7 for  
Chiller 4-20 mA Signal*

ACTUATOR HAS 4 TO 1 LEVER

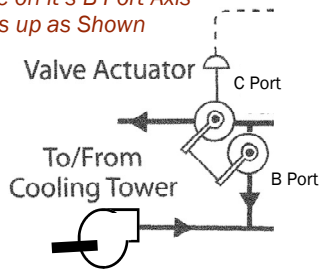


CORRECT 3-WAY VALVE PIPING



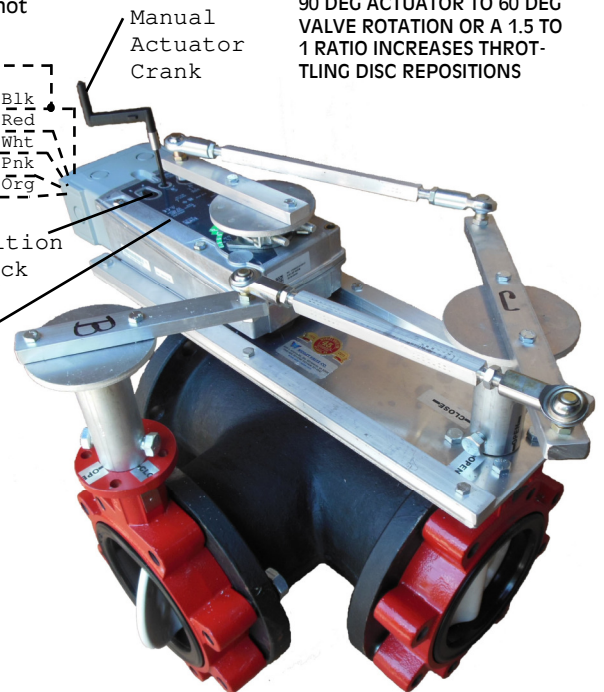
90 DEG ACTUATOR TO 60 DEG  
VALVE ROTATION OR A 1.5 TO  
1 RATIO INCREASES THROT-  
TLING DISC REPOSITIONS

*During Pipe Installation, DO NOT  
Spin the Valve on it's B Port Axis  
so that it ends up as Shown*



INCORRECT 3-WAY VALVE PIPING

*Chiller Head Press  
Valve Actuator  
Set 0.5-10 VDC*



CONDENSOR WATER VALVE



**WESLEY VALVE CO.**

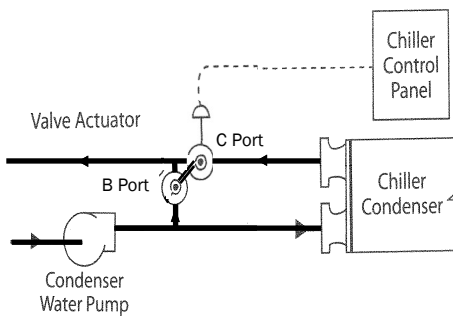
MFGRS OF AUTOMATED BUTTERFLY VALVES  
3229 North L Street  
Pensacola, FL 32505  
PHN: (404) 351-8744 FAX: (404) 351-9340  
[WWW.WESLEYVALVE.COM](http://WWW.WESLEYVALVE.COM)

# YORK YK CENTRIFUGAL CHILLER



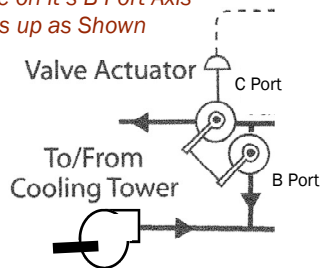
Add 500 Ohm Resistor  
between 1 Blk & 3 Wht  
or J8 1 & J8 2 for  
Chiller 4-20 mA Signal

ACTUATOR HAS 4 TO 1 LEVER

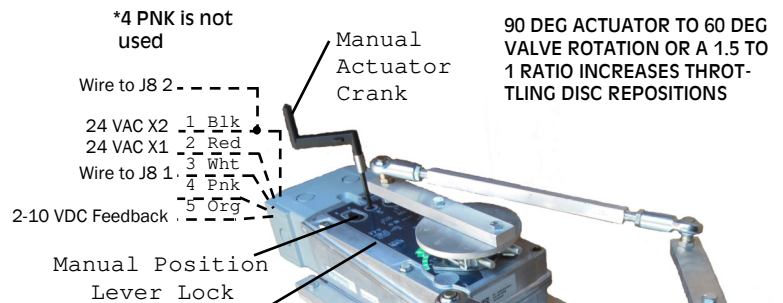


CORRECT 3-WAY VALVE PIPING

During Pipe Installation, DO NOT  
Spin the Valve on it's B Port Axis  
so that it ends up as Shown

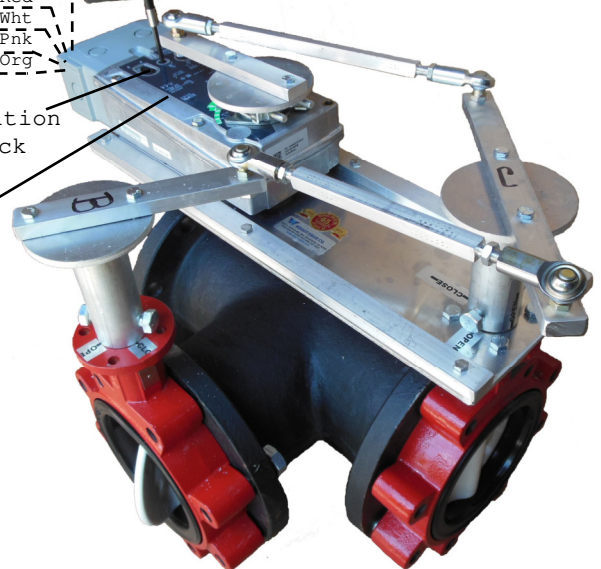


INCORRECT 3-WAY VALVE PIPING



90 DEG ACTUATOR TO 60 DEG  
VALVE ROTATION OR A 1.5 TO  
1 RATIO INCREASES THROT-  
TLING DISC REPOSITIONS

Chiller Head Press  
Valve Actuator  
Set 0.5-10 VDC



CONDENSOR WATER VALVE



**WESLEY VALVE CO.**

MFGRS OF AUTOMATED BUTTERFLY VALVES  
3229 North L Street  
Pensacola, FL 32505  
PHN: (404) 351-8744 FAX: (404) 351-9340  
[www.wesleyvalve.com](http://www.wesleyvalve.com)