

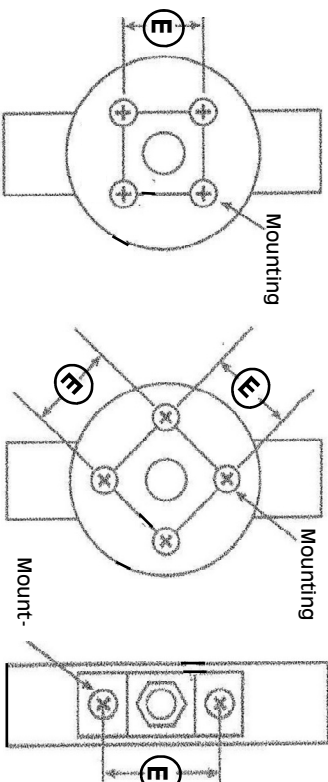
Existing Butterfly Valve Retrofit Work-sheet

For Pneumatic or Electric Actuation

See a price or data sheet for selecting a part number

Valve Body Manufacturer _____
 List Co. Name if Possible _____

 E F C H S



Style

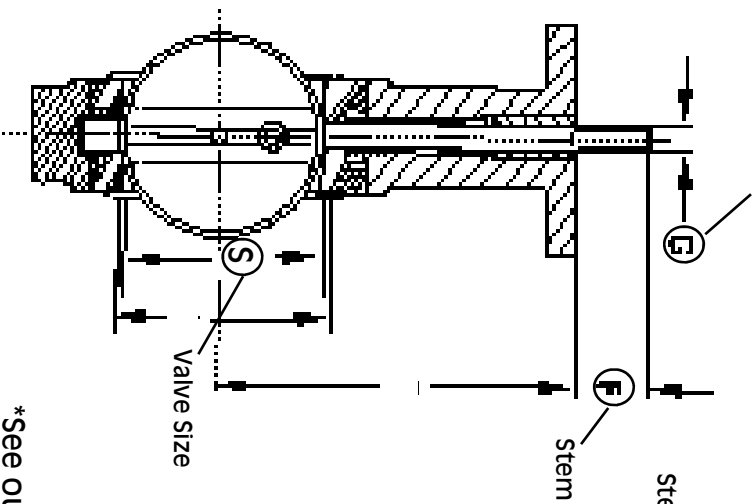
Style

Style

Existing Butterfly Valve Yoke Mounting Hole

Please Circle below Valve Shaft Type

Full Stem Diameter **Double D with Flat sides as**



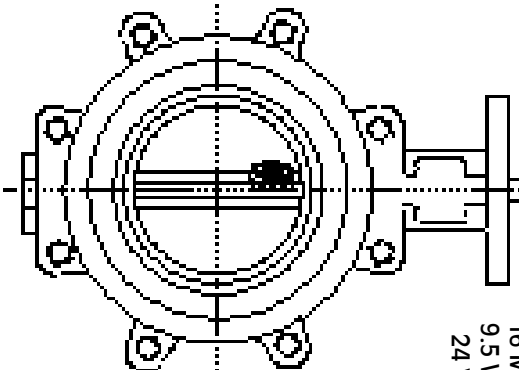
Stem

Stem

Valve Size

Flat to Flat Side Dimension

H



Note: "H" Dimension is for Valve Stems that are Flatted on each side (Double D)

TEST EXISTING VALVE

Manually Open & Close Valve with a Short Wrench (8" Maximum Handle length)

If Valve is Physically Difficult to Open & Close, Install Valve Assembly with New

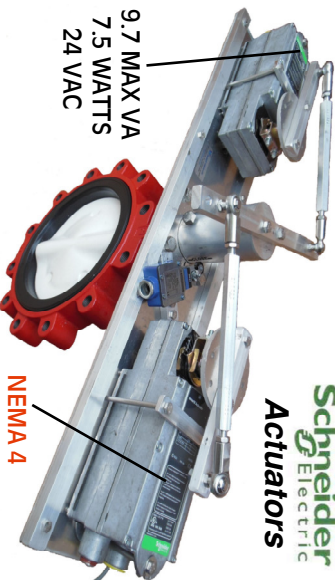
NEMA 4

16 MAX VA
9.5 WATTS
24 VAC

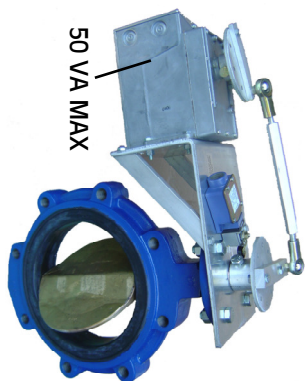


Schneider Electric
Actuators

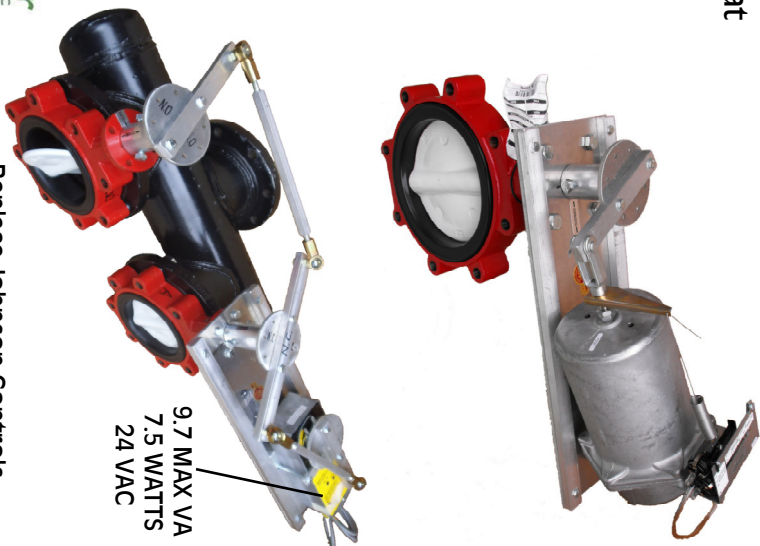
9.7 MAX VA
7.5 WATTS
24 VAC



NEMA 4



50 VA MAX



9.7 MAX VA
7.5 WATTS
24 VAC

Replace Johnson Controls
V5650, V-210 & V5820 Stove-



WESLEY VALVE CO.

MFGRS OF AUTOMATED BUTTERFLY VALVES
 3229 North L Street
 Pensacola, FL 32505
 PHN: (404) 351-8744 FAX: (404) 351-9340
WWW.WESLEYVALVE.COM

*See our Valve Price Sheet Or