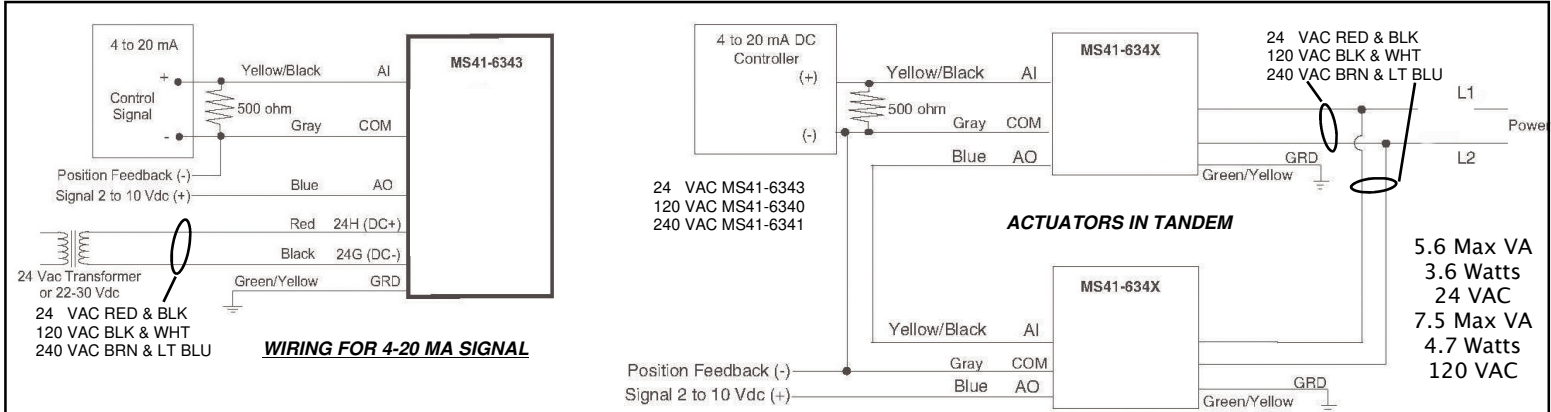
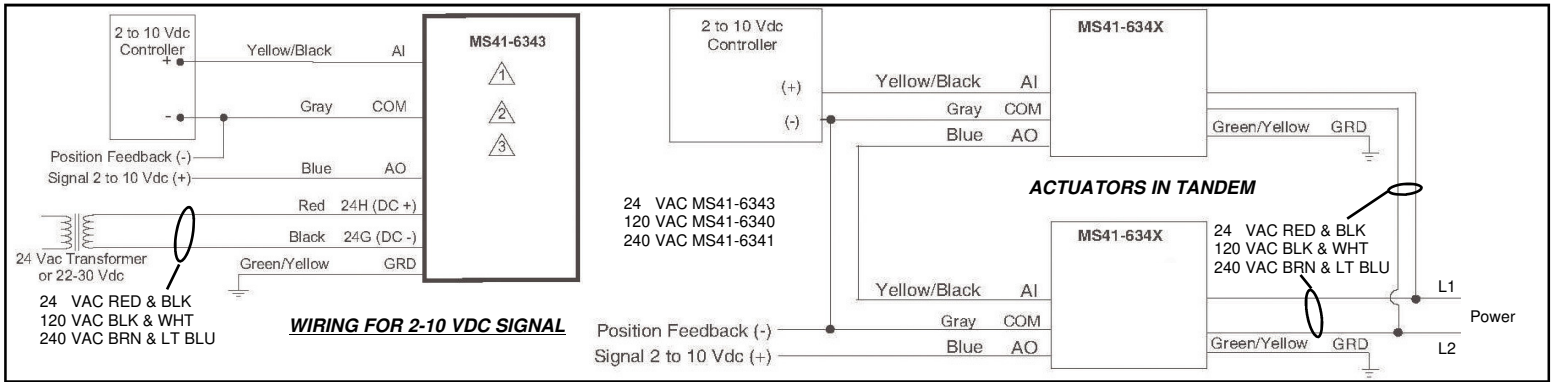
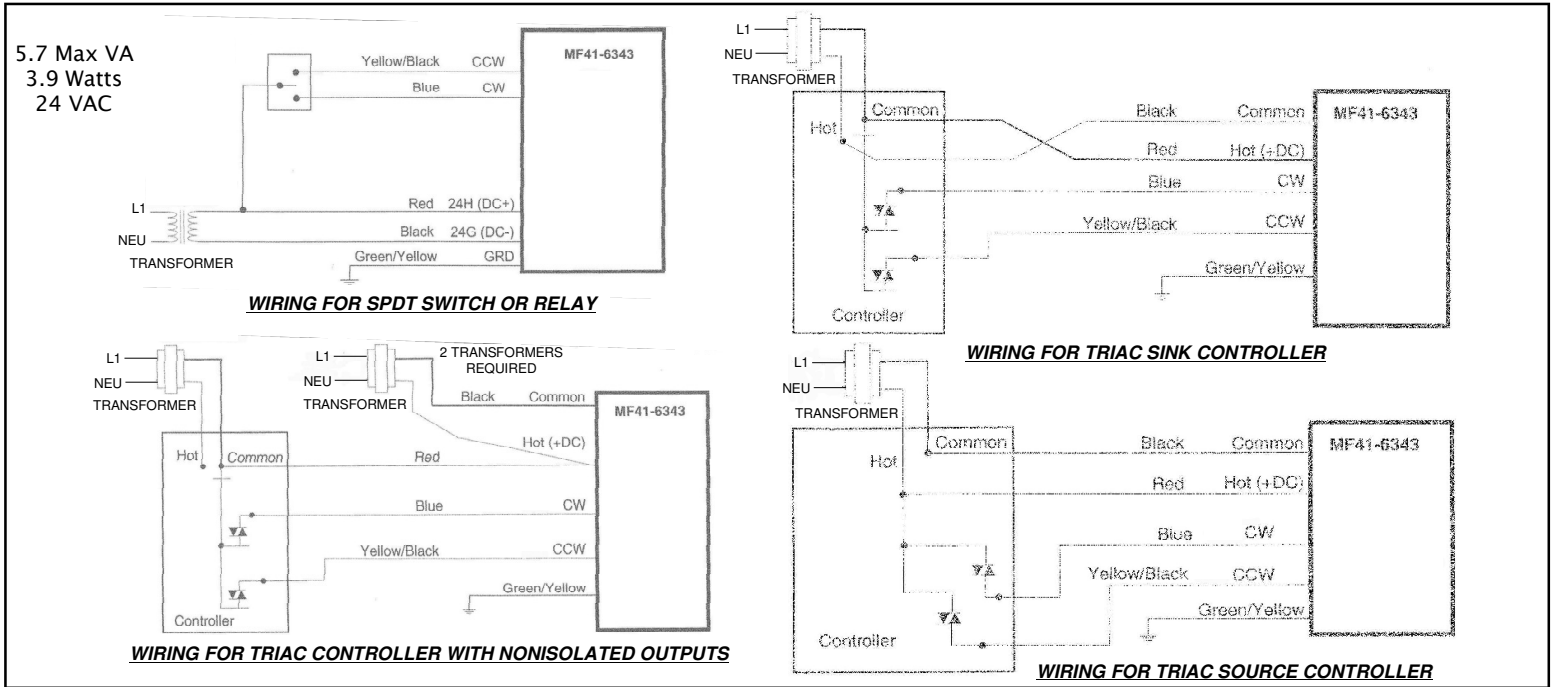


WIRING FOR VALVE ASSEMBLIES WITH **ACTUATORS**

Mx41-634x & Mx41-6153 SmartX NON SPRING RETURN ACTUATORS



WIRING FOR MODULATING NON SPRING RETURN MS41-634X SmartX ACTUATORS



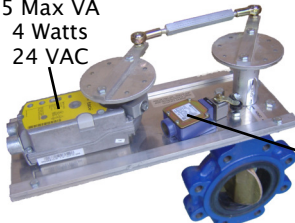
WIRING FOR FLOATING NON SPRING RETURN MS41-6343 SmartX ACTUATORS

GRY/RED—AUX 1 COM
 GRY/BLU—AUX 1 N.C.
 GRY/PNK—AUX 1 N.O.
 BLK/RED—AUX 2 COM
 BLK/BLU—AUX 2 N.C.
 BLK/PNK—AUX 2 N.O.

MF41-6153 FLOATING ACTUATOR OPTIONAL AUXILIARY SWITCHES

RED—X1 24 VAC
 BLK—X2 24 VAC & SIG. COM
 GRY—0-10 VDC SIGNAL
 PNK—0-10 VDC FEEDBACK

MS41-6153 MODULATING ACTUATOR



5 Max VA
 4 Watts
 24 VAC

Optional Bump Switch

RED—X1 24 VAC
 VLT—X2 24 VAC FOR CW
 ORG—X2 24 VAC FOR CCW

MF41-6153 FLOATING ACTUATOR



MFGRS OF AUTOMATED BUTTERFLY VALVES
 3229 North L Street
 Pensacola, FL 32505

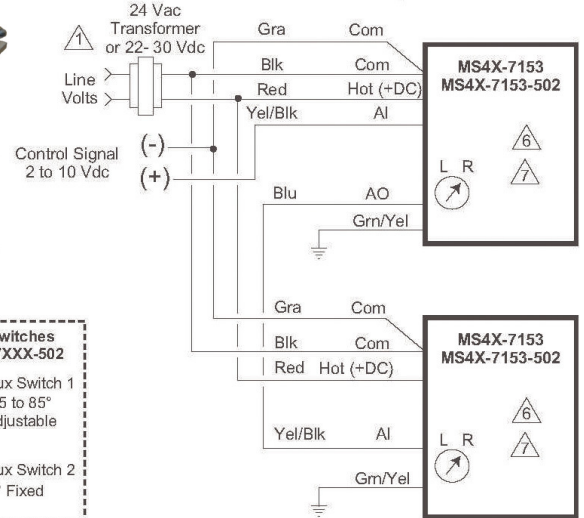
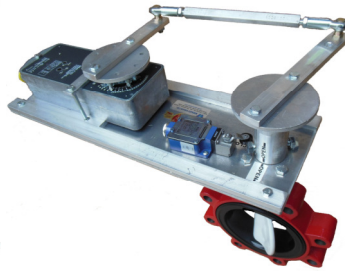
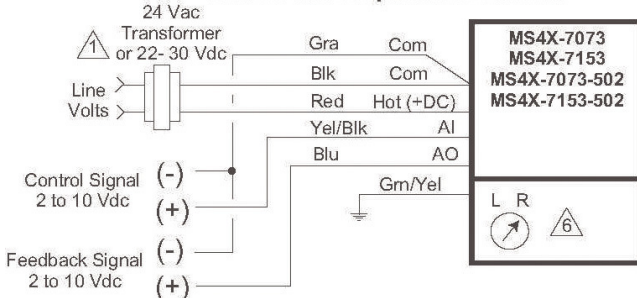
PHN: (404) 351-8744 FAX: (404) 351-9340
WWW.WESLEYVALVE.COM

WIRING FOR NON SPRING RETURN MX41-6153 SmartX ACTUATORS

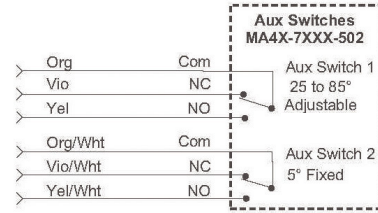
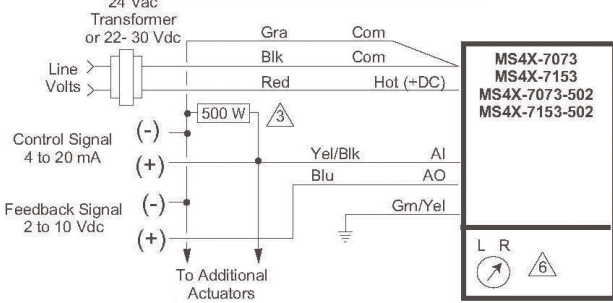
WIRING FOR VALVE ASSEMBLIES WITH Schneider Electric ACTUATORS

Mx41-715x SmartX SPRING RETURN ACTUATORS

2 to 10 Vdc Proportional Control



4 to 20 mAdc Proportional Control

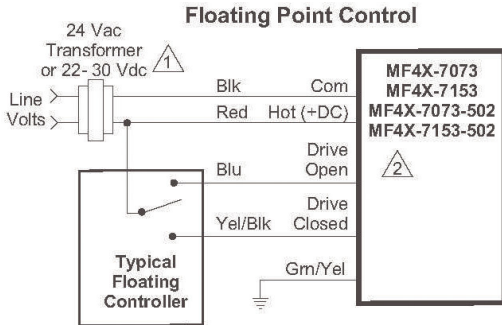


OPTIONAL AUXILIARY SWITCH WIRING FOR MX41-715X ACTUATORS

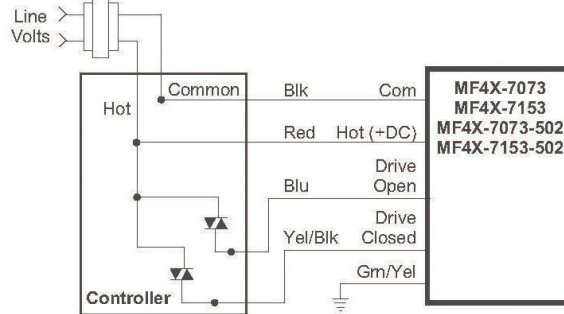
ACTUATORS IN TANDEM

WIRING FOR MODULATING SPRING RETURN MS41-7153 SmartX ACTUATORS

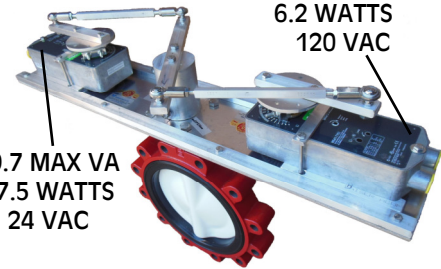
Floating Point Control



Triac Source

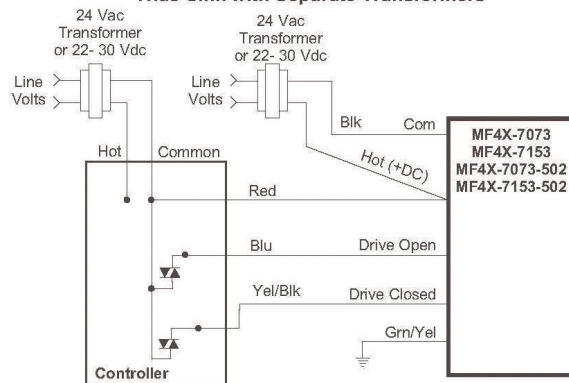
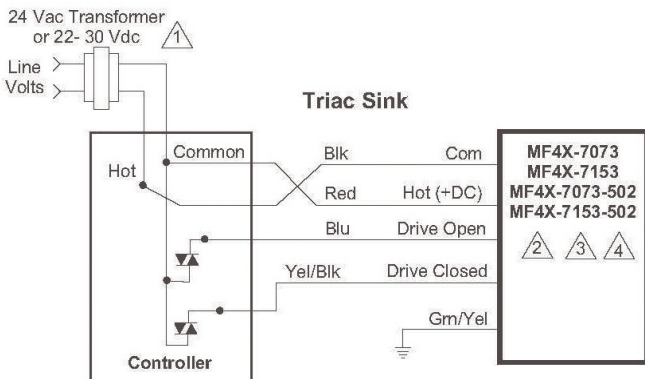


8.4 MAX VA
6.2 WATTS
120 VAC

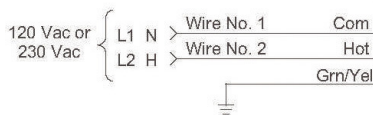
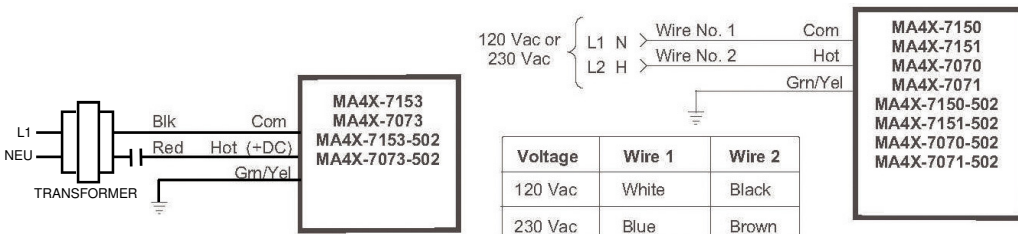


9.7 MAX VA
7.5 WATTS
24 VAC

Triac Sink with Separate Transformers



WIRING FOR FLOATING SPRING RETURN MF41-7153 SmartX ACTUATORS



Voltage	Wire 1	Wire 2
120 Vac	White	Black
230 Vac	Blue	Brown



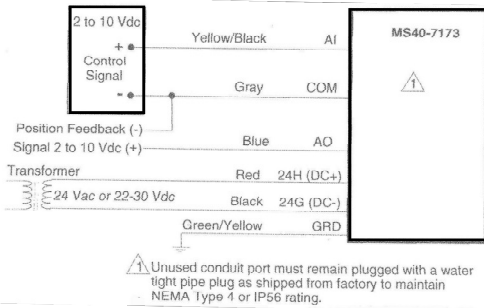
WESLEY VALVE CO.

MFGRS OF AUTOMATED BUTTERFLY VALVES
3229 North L Street
Pensacola, FL 32505
PHN: (404) 351-8744 FAX: (404) 351-9340
www.wesleyvalve.com

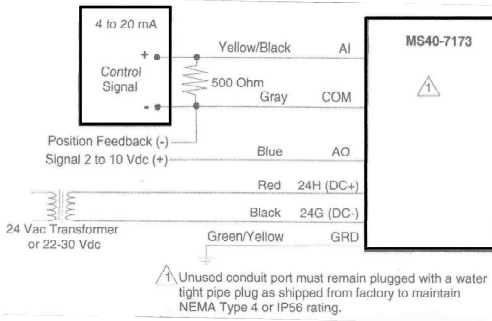
WIRING FOR ON-OFF SPRING RETURN MA41-715X SmartX ACTUATORS

WIRING FOR VALVE ASSEMBLIES WITH Schneider Electric ACTUATORS

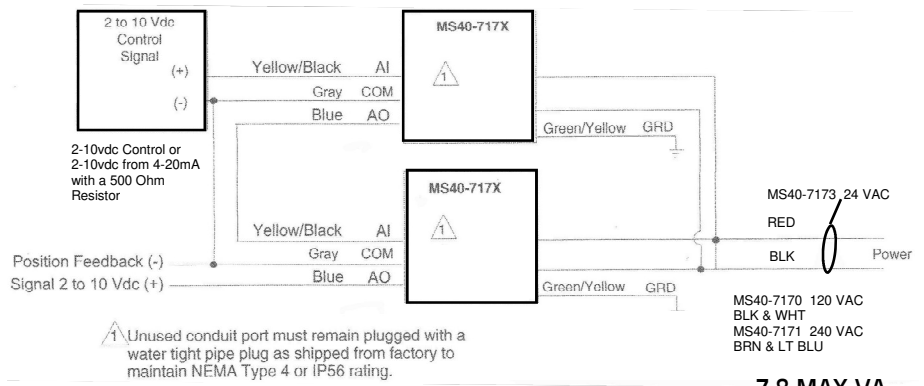
Mx40-717x SmartX SPRING RETURN ACTUATORS



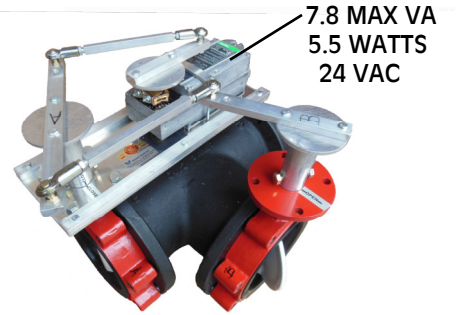
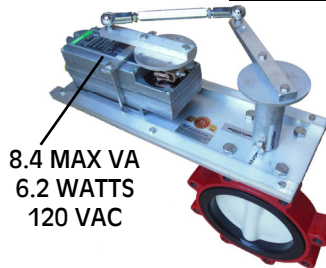
2-10vdc Control



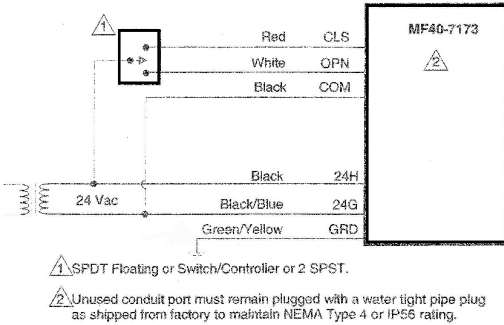
4-20mA Control



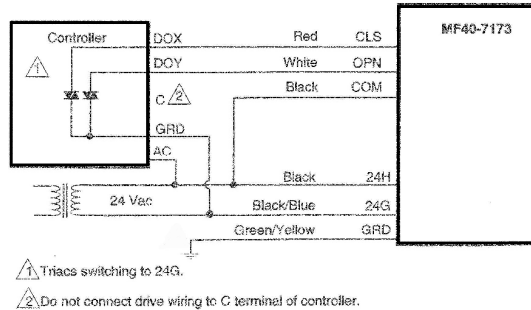
ACTUATORS IN TANDEM



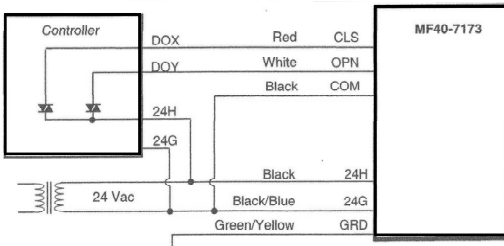
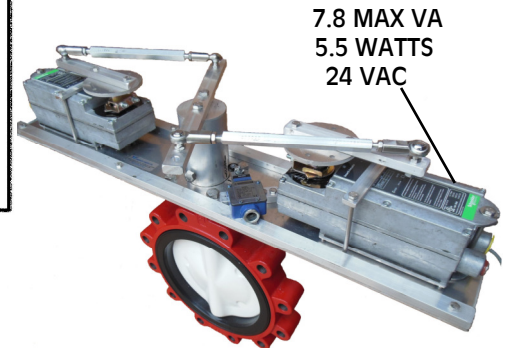
WIRING FOR MODULATING SPRING RETURN MS41-717x SmartXACTUATORS



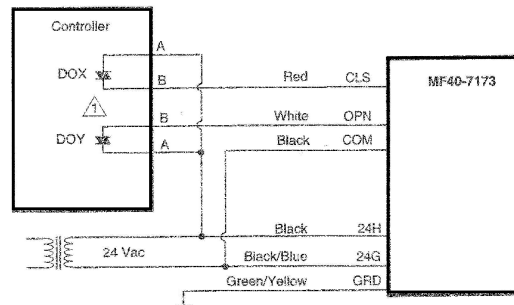
SPDT Floating Control



Triac Switching for MCS Controllers



Triac Switching for MN-HPFC Controllers



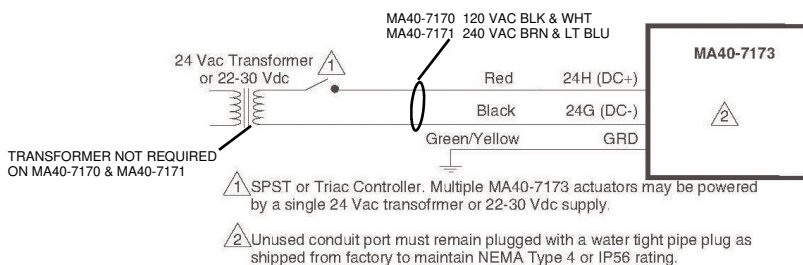
Isolated Triac Switching for MPC Controllers

SPDT Control for Tandem Actuators

Parallel Tandem Actuator Wire Colors & drive the Tandem Actuators together all the way open or all the way closed.

Floating Control for Tandem Actuators is not Recommended

WIRING FOR FLOATING SPRING RETURN MF41-7173 SmartX ACTUATORS



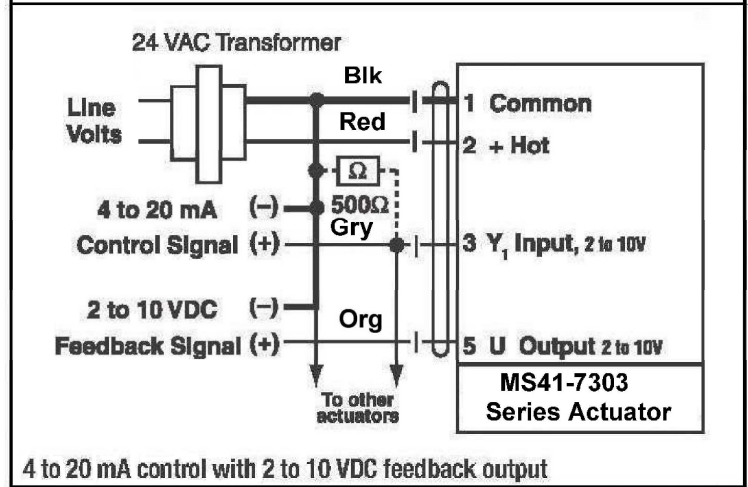
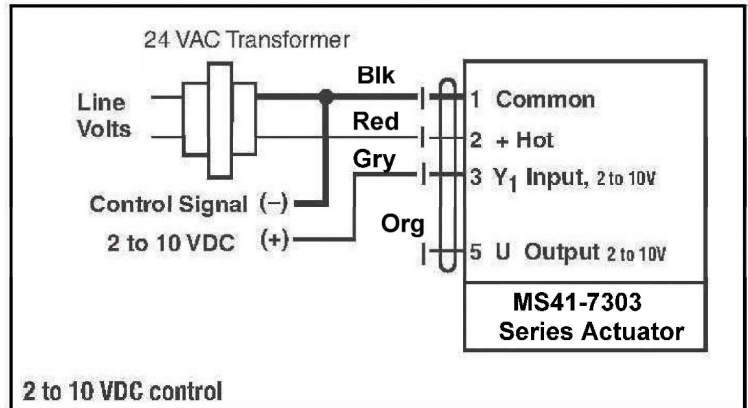
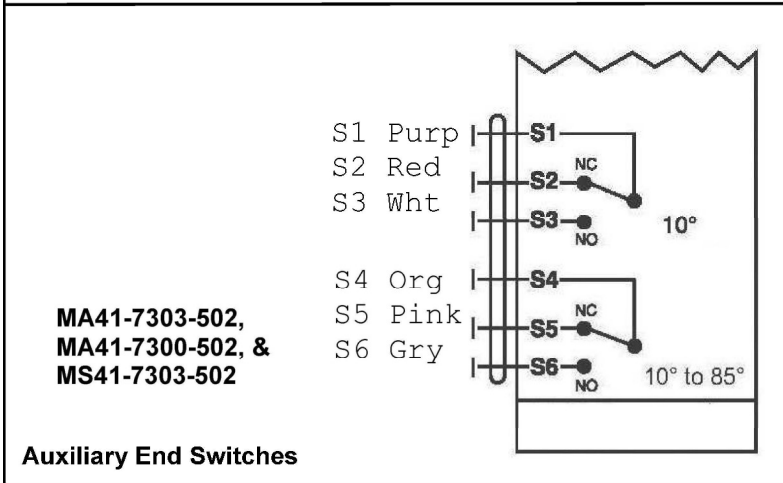
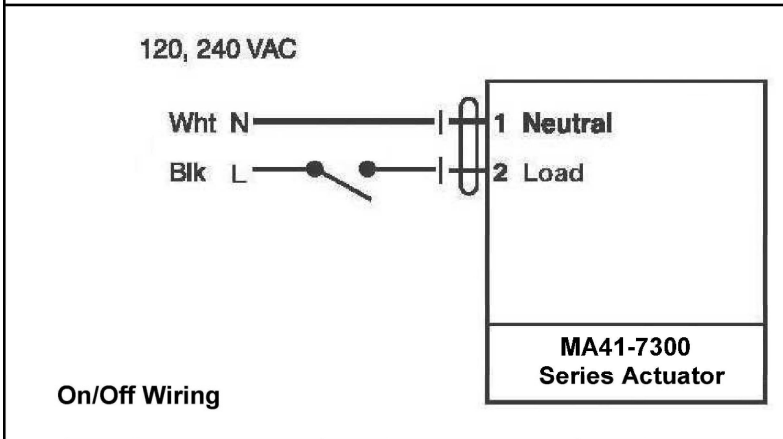
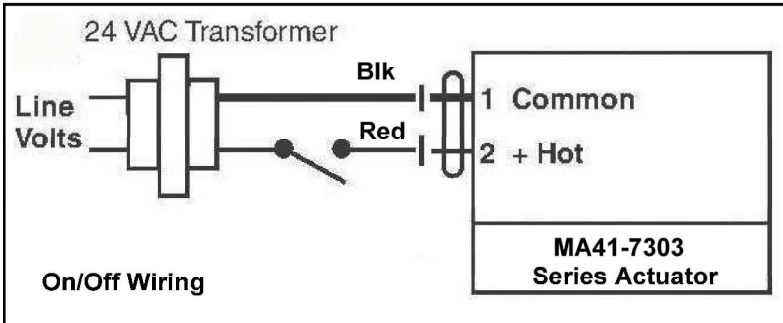
WIRING FOR ON-OFF SPRING RETURN MA40-717x SmartX ACTUATORS



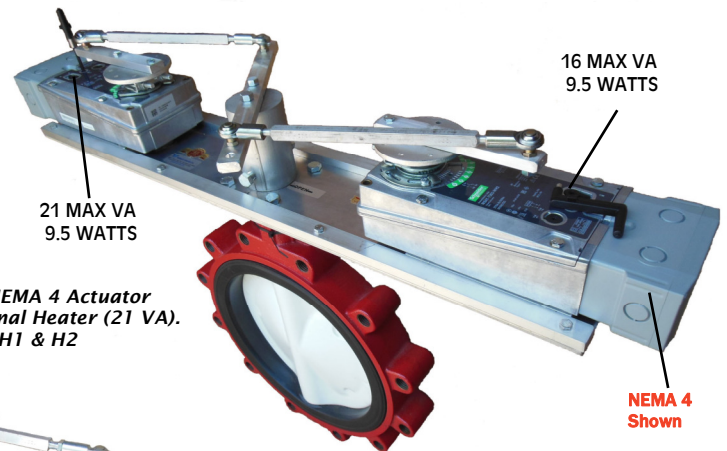
WESLEY VALVE CO.

MFGRS OF AUTOMATED BUTTERFLY VALVES
 3229 North L Street
 Pensacola, FL 32505
 PHN: (404) 351-8744 FAX: (404) 351-9340
www.wesleyvalve.com

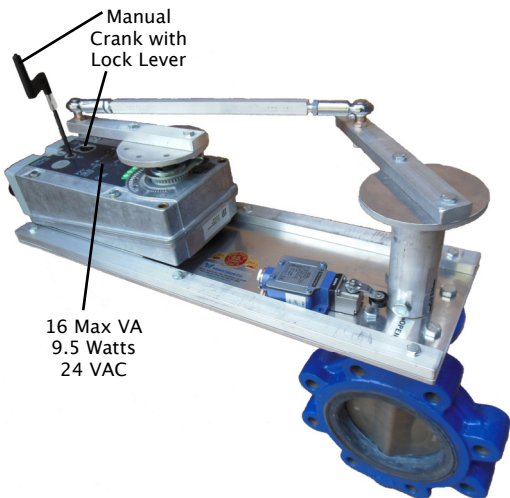
Mx41-730x SmartX SPRING RETURN ACTUATORS



MODULATING ACTUATOR WIRING



2-POSITION ACTUATOR WIRING



MS41-7303-WH2 NEMA 4 Actuator incorporates an Internal Heater (21 VA). Terminals H1 & H2



WESLEY VALVE CO.

MFGRS OF AUTOMATED BUTTERFLY VALVES
3229 North L Street
Pensacola, FL 32505
PHN: (404) 351-8744 FAX: (404) 351-9340

www.wesleyvalve.com