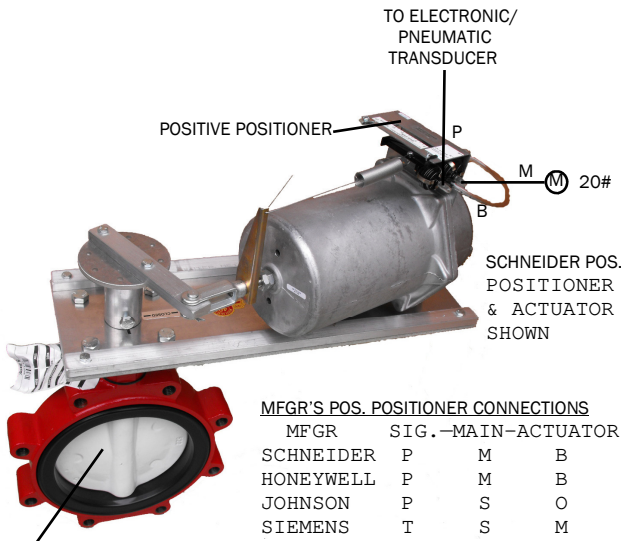
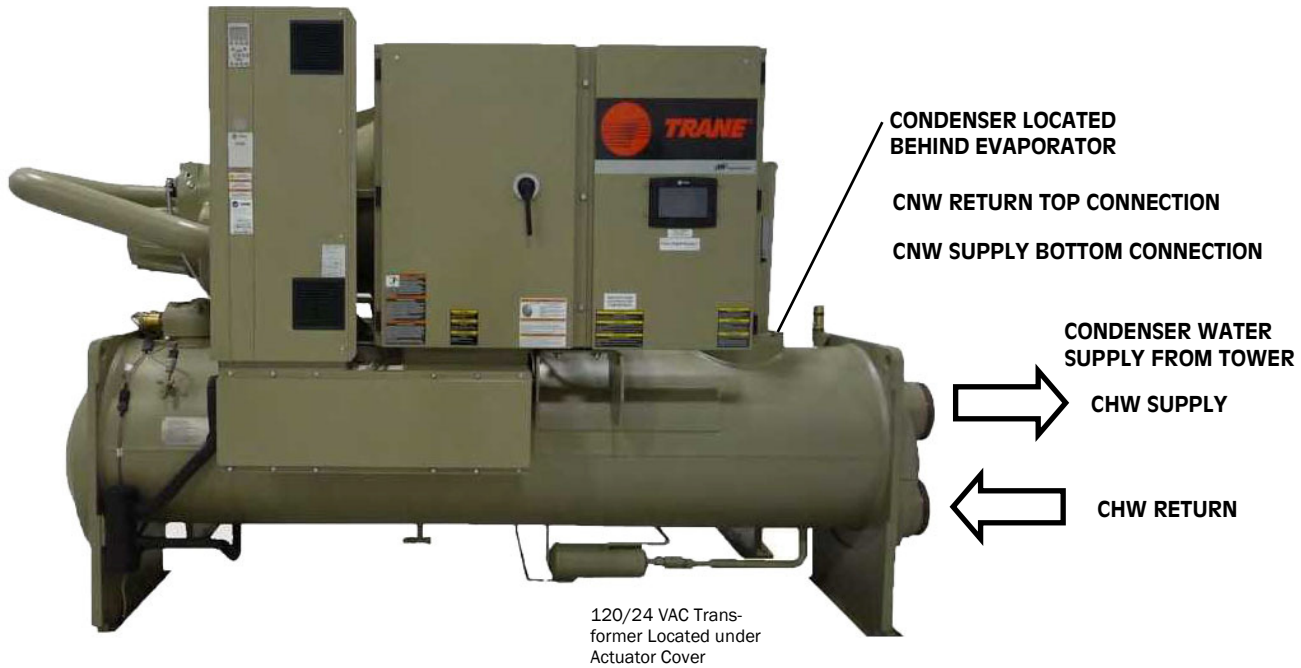


HEAD PRESSURE VALVE WIRING FOR



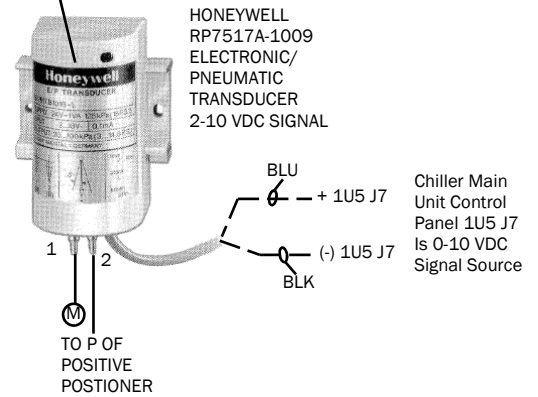
TRANE ROTARY CHILLERS



Locate Chiller Head Press Valve in Condenser Water Return Line

PNEUMATIC CONDENSOR WATER VALVE

2-10 VDC Signal

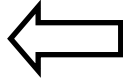


WESLEY VALVE CO.

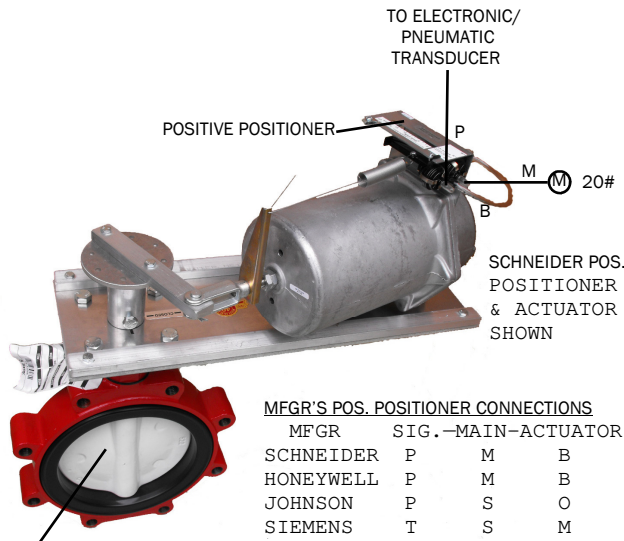
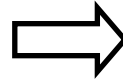
MFGRS OF AUTOMATED BUTTERFLY VALVES
 3229 North L Street
 Pensacola, FL 32505
 PHN: (404) 351-8744 FAX: (404) 351-9340
WWW.WESLEYVALVE.COM



CONDENSER WATER
RETURN TO TOWER



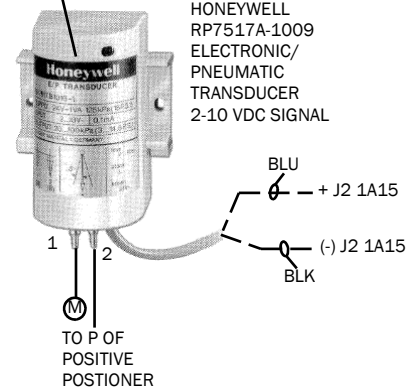
CONDENSER WATER
SUPPLY FROM TOWER



Locate Chiller Head Press Valve
in Condenser Water Return Line

PNEUMATIC CONDENSOR WATER VALVE

2-10 VDC Signal



Chiller Main
Unit Control
Panel J2 1A15
Is 2-10 VDC
Signal Source



WESLEY VALVE CO.

MFGRS OF AUTOMATED BUTTERFLY VALVES

3229 North L Street

Pensacola, FL 32505

PHN: (404) 351-8744 FAX: (404) 351-9340

WWW.WESLEYVALVE.COM