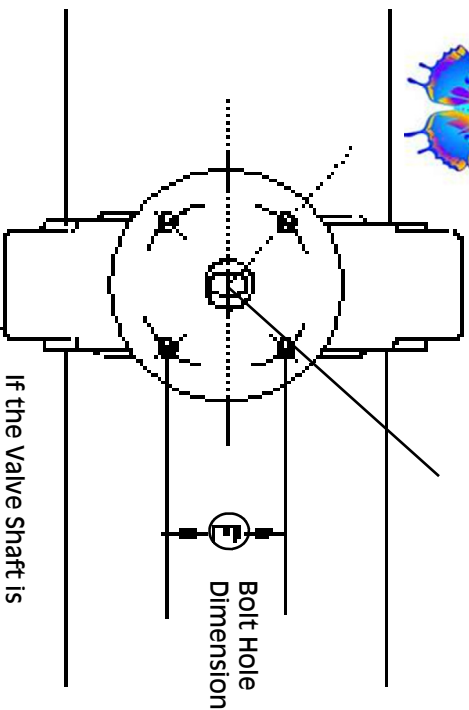


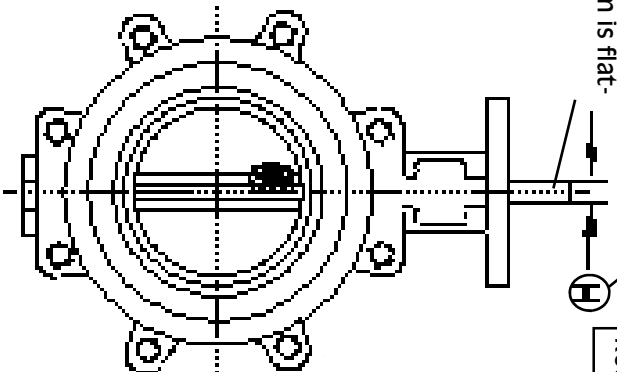
Flattened Sides or Double D



If the Valve Shaft is Round then flat spots must be made on each side of the shaft by Grinding or Drilling to

Full Stem Diameter

Stem is flat-



# Existing Butterfly Valve Retrofit Work-sheet

For pneumatic or Electric Actuation  
*See our price or data sheets for selecting a part number*

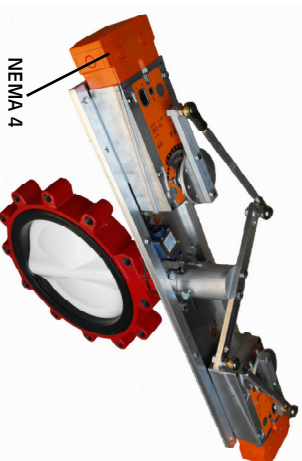
Valve Body Manufacturer \_\_\_\_\_  
List Co. Name if Possible \_\_\_\_\_

E \_\_\_\_\_ F \_\_\_\_\_ C \_\_\_\_\_ and H \_\_\_\_\_

Note: "H" Dimension is for Valve Stems that are Flatted on each side (Double D)

### TEST EXISTING VALVE

Manually Open & Close Valve with a Short Wrench (10" Maximum Handle length)  
If Valve is Physically Difficult to Open & Close, Install New Valve Body with Reduced Disc



AVAILABLE ACTUATORS

Johnson Controls

Honeywell

Schneider Electric

SIEMENS

BELIMO

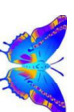
Bray

PRAATT

Pratt Industrial

## REPLACING A FAILED BOWLER HAT ACTUATOR?

CONSIDER RETROFITTING IT WITH THE MORE RELIABLE **Commercial Control** ACTUATOR ASSEMBLIES AS SHOWN



WESLEY VALVE CO.

MFGRS OF AUTOMATED BUTTERFLY VALVES  
3229 North L Street  
Pensacola, FL 32505

PHN: (404) 351-8744 FAX: (404) 351-8744

We have Experience in Retrofitting Keystone, Bray, Nibco, Milwaukee, Centerline, Grinnell, Pratt and Crane Butterfly Valves