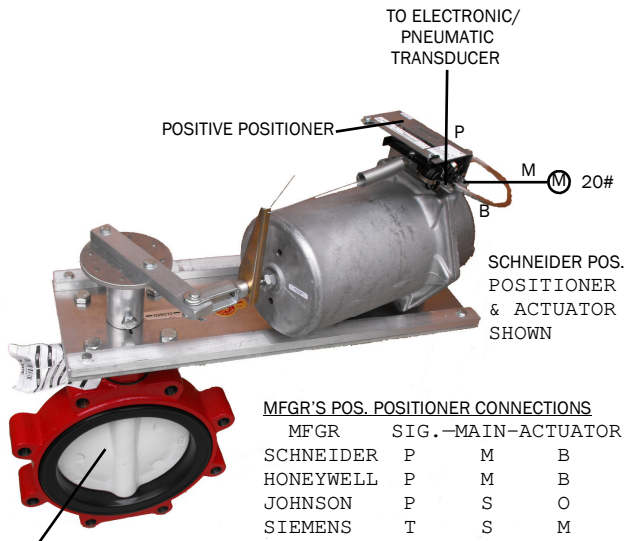
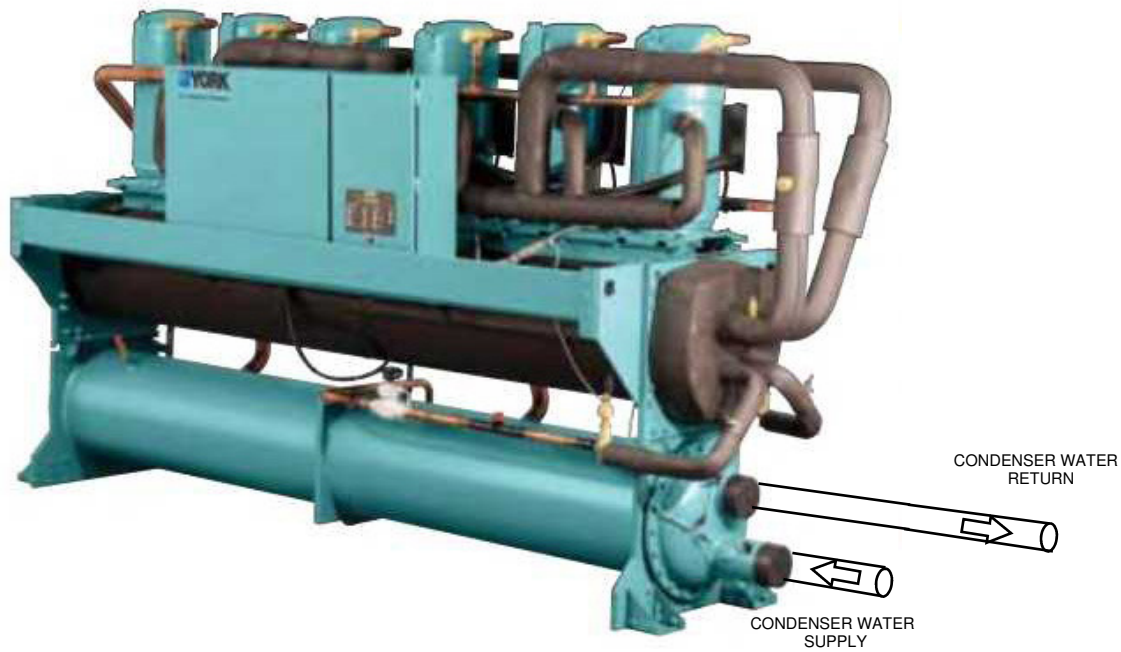


# YORK YCRL LIQUID SCROLL CHILLER



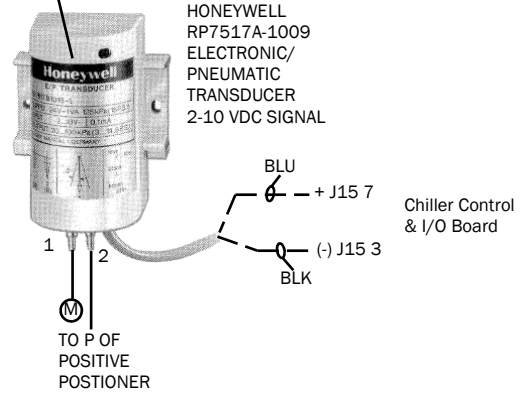
**MFGR'S POS. POSITIONER CONNECTIONS**

MFGR	SIG.	-MAIN-	ACTUATOR
SCHNEIDER	P	M	B
HONEYWELL	P	M	B
JOHNSON	P	S	O
SIEMENS	T	S	M

*Locate Chiller Head Press Valve in Condenser Water Return Line*

## PNEUMATIC CONDENSOR WATER VALVE

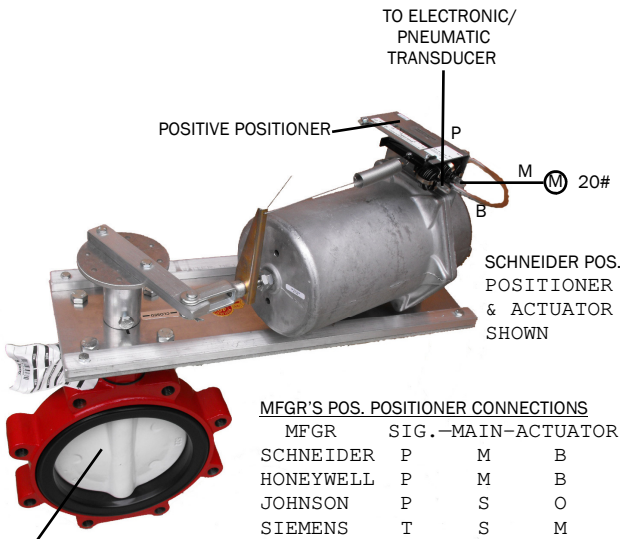
### 2-10 VDC Signal



**WESLEY VALVE CO.**

MFGRS OF AUTOMATED BUTTERFLY VALVES  
 3229 North L Street  
 Pensacola, FL 32505  
 PHN: (404) 351-8744 FAX: (404) 351-9340  
[WWW.WESLEYVALVE.COM](http://WWW.WESLEYVALVE.COM)

# YORK YVWA SCREW CHILLER

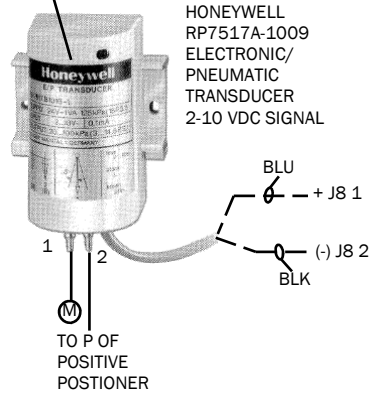


**MFGR'S POS. POSITIONER CONNECTIONS**

MFGR	SIG.	MAIN	ACTUATOR
SCHNEIDER	P	M	B
HONEYWELL	P	M	B
JOHNSON	P	S	O
SIEMENS	T	S	M

*Locate Chiller Head Press Valve  
in Condenser Water Return Line*

## 2-10 VDC Signal



HONEYWELL  
RP7517A-1009  
ELECTRONIC/  
PNEUMATIC  
TRANSDUCER  
2-10 VDC SIGNAL

Chiller Control  
& I/O Board

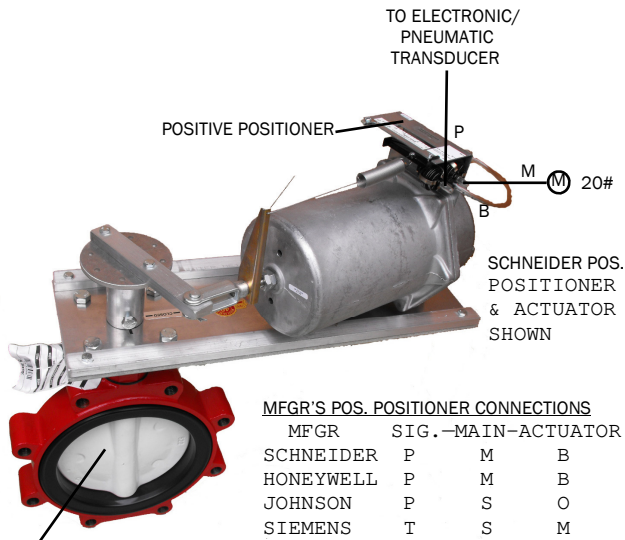
## PNEUMATIC CONDENSOR WATER VALVE



**WESLEY VALVE CO.**

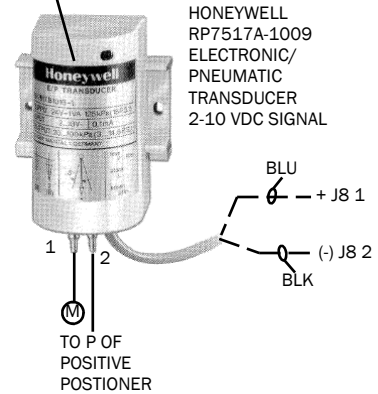
MFGRS OF AUTOMATED BUTTERFLY VALVES  
3229 North L Street  
Pensacola, FL 32505  
PHN: (404) 351-8744 FAX: (404) 351-9340  
[www.wesleyvalve.com](http://www.wesleyvalve.com)

# YORK YK CENTRIFUGAL CHILLER



*Locate Chiller Head Press Valve  
in Condenser Water Return Line*

## 2-10 VDC Signal



## PNEUMATIC CONDENSOR WATER VALVE



**WESLEY VALVE CO.**

MFGRS OF AUTOMATED BUTTERFLY VALVES  
3229 North L Street  
Pensacola, FL 32505  
PHN: (404) 351-8744 FAX: (404) 351-9340  
[www.wesleyvalve.com](http://www.wesleyvalve.com)