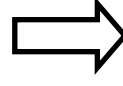




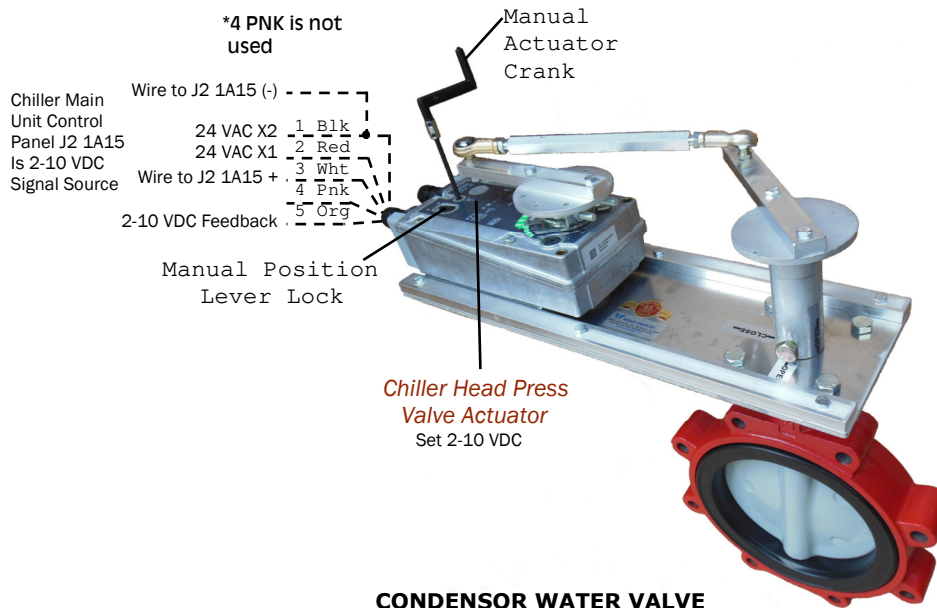
CONDENSER WATER
RETURN TO TOWER



CONDENSER WATER
SUPPLY FROM TOWER



Add 500 Ohm Resistor between 1 Blk & 3 Wht for Chiller 4-20 mA Signal



ACTUATOR HAS 4 TO 1 LEVER

90 DEG ACTUATOR TO 60 DEG VALVE ROTATION OR A 1.5 TO 1 RATIO INCREASES THROTTLING DISC REPOSITIONS

CONDENSOR WATER VALVE

Locate Chiller Head Press Valve in Condenser Water Return Line



WESLEY VALVE CO.

MFGRS OF AUTOMATED BUTTERFLY VALVES

3229 North L Street

Pensacola, FL 32505

PHN: (404) 351-8744 FAX: (404) 351-9340

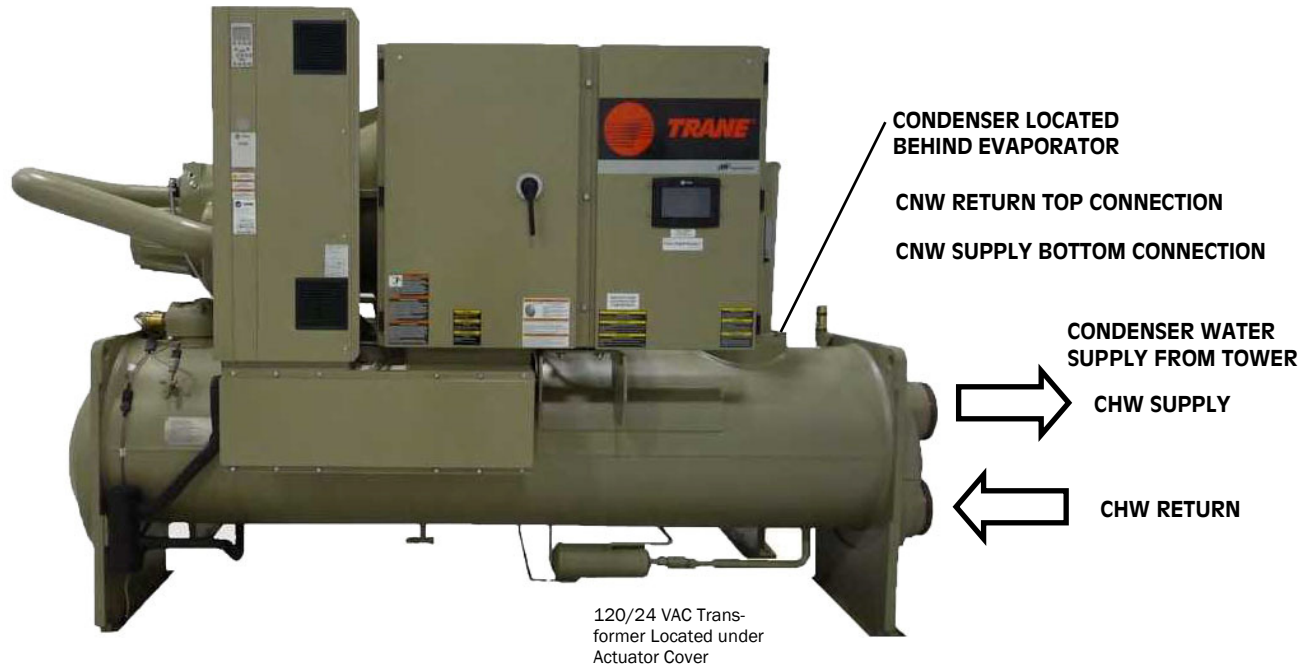
WWW.WESLEYVALVE.COM

HEAD PRESSURE VALVE WIRING FOR

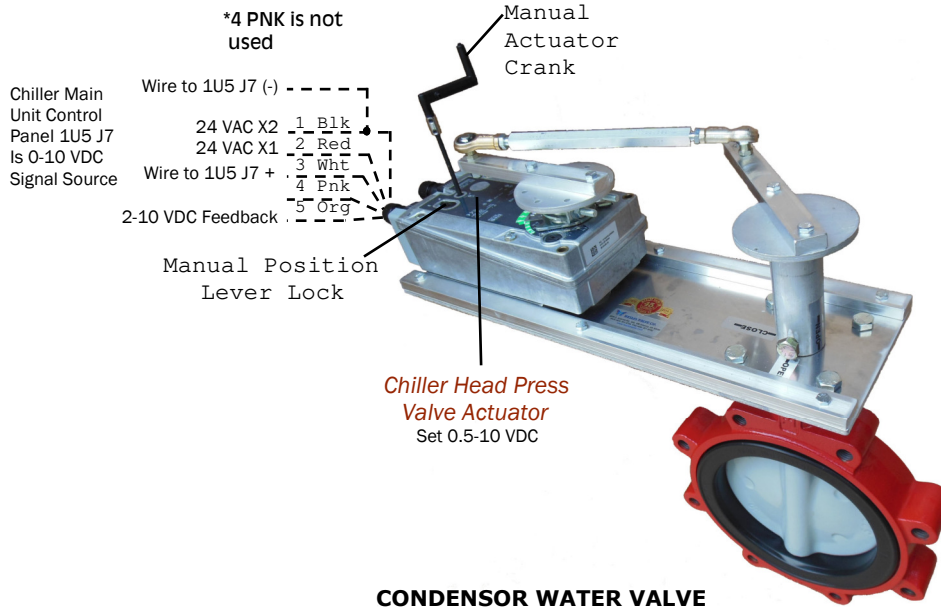


TRANE

ROTARY CHILLERS



Add 500 Ohm Resistor between 1 Blk & 3 Wht for Chiller 4-20 mA Signal



ACTUATOR HAS 4 TO 1 LEVER

90 DEG ACTUATOR TO 60 DEG VALVE ROTATION OR A 1.5 TO 1 RATIO INCREASES THROTTLING DISC REPOSITIONS

Locate Chiller Head Press Valve in Condenser Water Return Line



WESLEY VALVE CO.

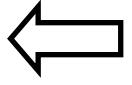
MFGRS OF AUTOMATED BUTTERFLY VALVES
 3229 North L Street
 Pensacola, FL 32505
 PHN: (404) 351-8744 FAX: (404) 351-9340
WWW.WESLEYVALVE.COM

ACTUATOR HAS 4 TO 1 LEVER

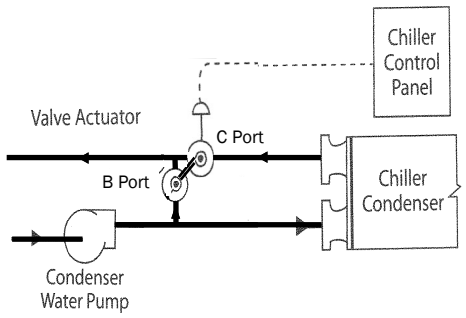
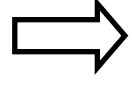
90 DEG ACTUATOR TO 60 DEG VALVE ROTATION OR A 1.5 TO 1 RATIO INCREASES THROTTLING DISC REPOSITIONS

HEAD PRESSURE VALVE WIRING FOR TRANE® CENTRAVAC CHILLERS

CONDENSER WATER RETURN TO TOWER

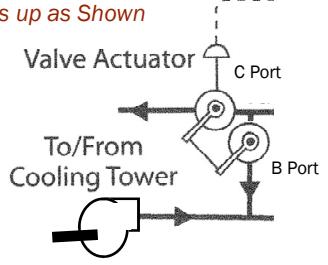


CONDENSER WATER SUPPLY FROM TOWER



CORRECT 3-WAY VALVE PIPING

During Pipe Installation, DO NOT Spin the Valve on it's B Port Axis so that it ends up as Shown



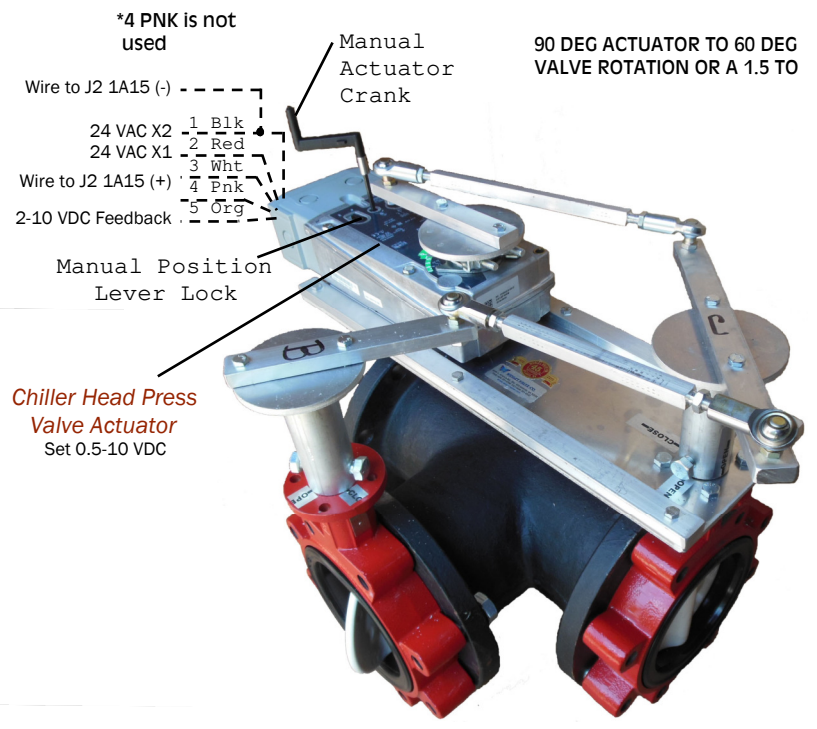
INCORRECT 3-WAY VALVE PIPING

Add 500 Ohm Resistor between 1 Blk & 3 Wht for Chiller 4-20 mA Signal

ACTUATOR HAS 4 TO 1 LEVER

90 DEG ACTUATOR TO 60 DEG VALVE ROTATION OR A 1.5 TO

*4 PNK is not used
 Wire to J2 1A15 (-)
 24 VAC X2 1 Blk
 24 VAC X1 2 Red
 Wire to J2 1A15 (+)
 3 Wht
 4 Pnk
 5 Org
 2-10 VDC Feedback



WESLEY VALVE CO.

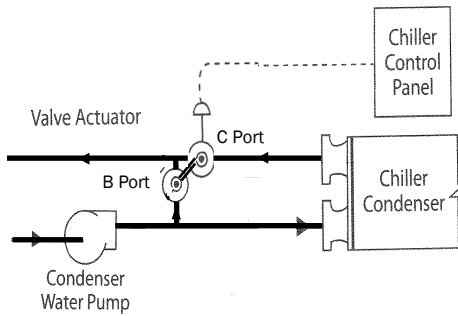
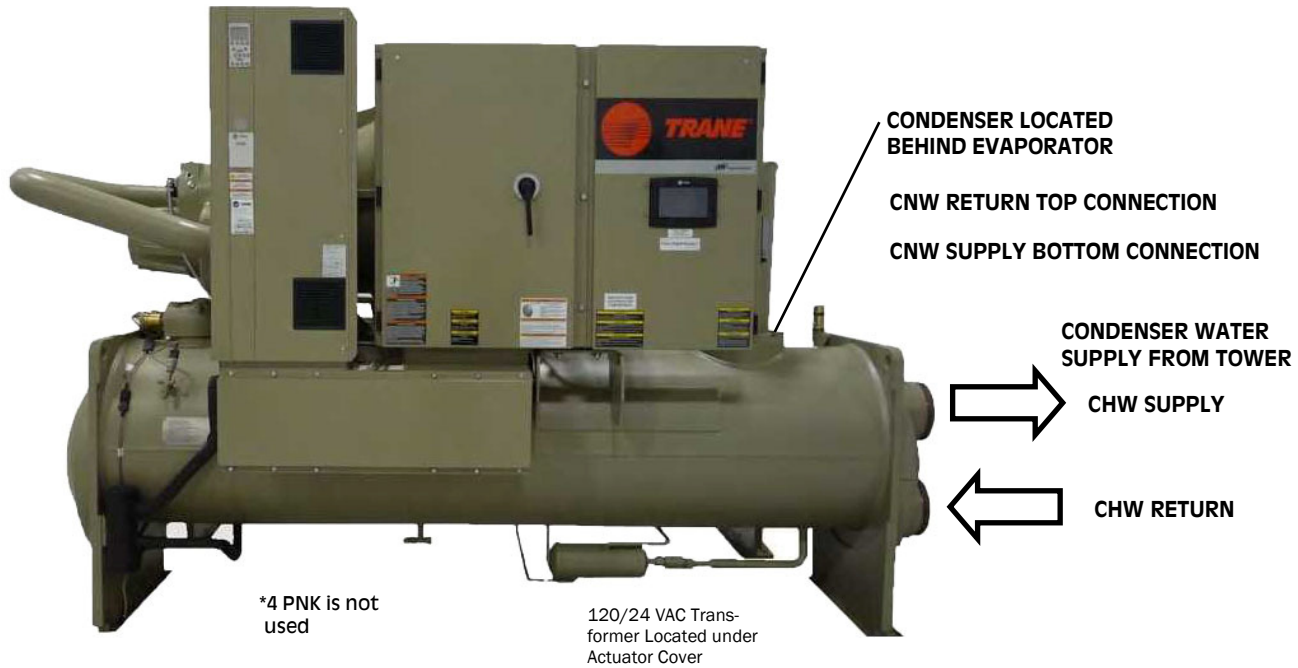
MFGRS OF AUTOMATED BUTTERFLY VALVES
 3229 North L Street
 Pensacola, FL 32505
 PHN: (404) 351-8744 FAX: (404) 351-9340
WWW.WESLEYVALVE.COM

HEAD PRESSURE VALVE WIRING FOR



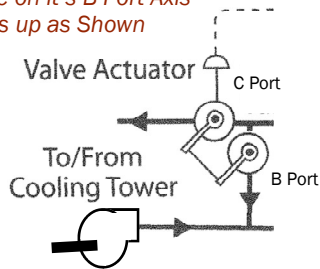
TRANE

ROTARY CHILLERS



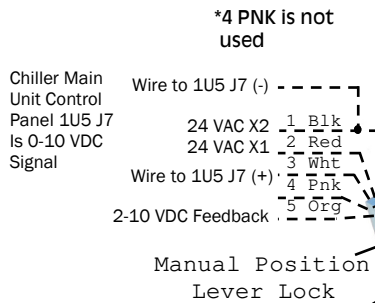
CORRECT 3-WAY VALVE PIPING

During Pipe Installation, DO NOT Spin the Valve on it's B Port Axis so that it ends up as Shown



INCORRECT 3-WAY VALVE PIPING

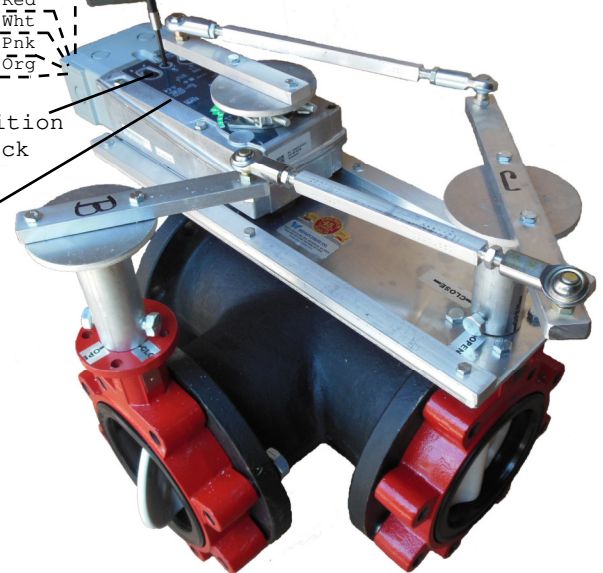
Add 500 Ohm Resistor between 1 Blk & 3 Wht for Chiller 4-20 mA Signal



ACTUATOR HAS 4 TO 1 LEVER

90 DEG ACTUATOR TO 60 DEG VALVE ROTATION OR A 1.5 TO

Chiller Head Press Valve Actuator Set 0.5-10 VDC



WESLEY VALVE CO.

MFGRS OF AUTOMATED BUTTERFLY VALVES
 3229 North L Street
 Pensacola, FL 32505
 PHN: (404) 351-8744 FAX: (404) 351-9340
WWW.WESLEYVALVE.COM