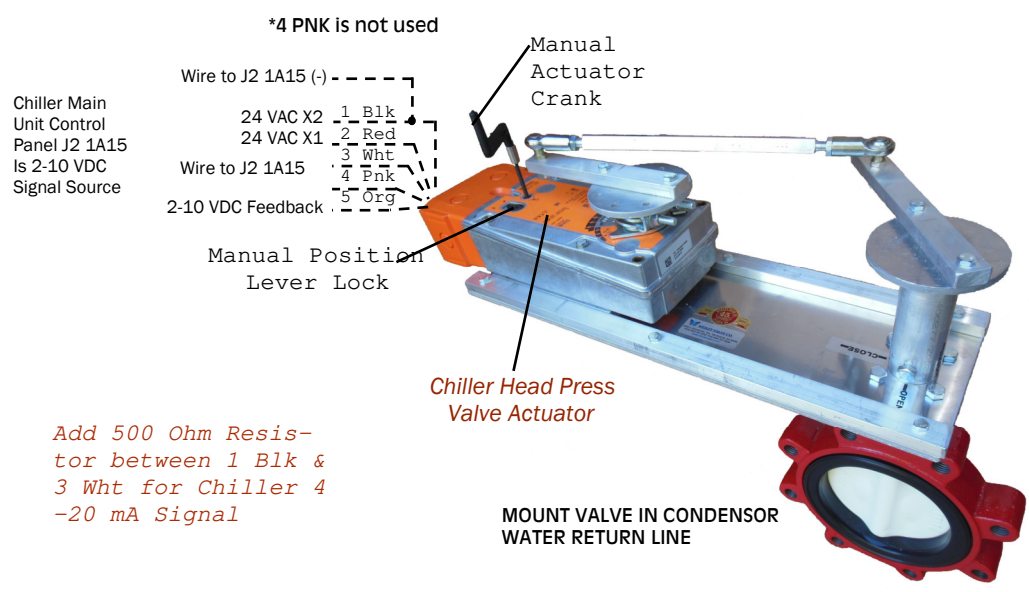
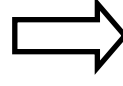


# HEAD PRESSURE VALVE WIRING FOR TRANE® CENTRAVAC CHILLERS

CONDENSER WATER  
RETURN TO TOWER



CONDENSER WATER  
SUPPLY FROM TOWER



*Add 500 Ohm Resistor between 1 Blk & 3 Wht for Chiller 4 -20 mA Signal*

ACTUATOR HAS 4 TO 1 LEVER

90 DEG ACTUATOR TO 60 DEG VALVE ROTATION OR A 1.5 TO 1 RATIO INCREASES THROTTLING DISC REPOSITIONS

## CONDENSOR WATER VALVE



**WESLEY VALVE CO.**

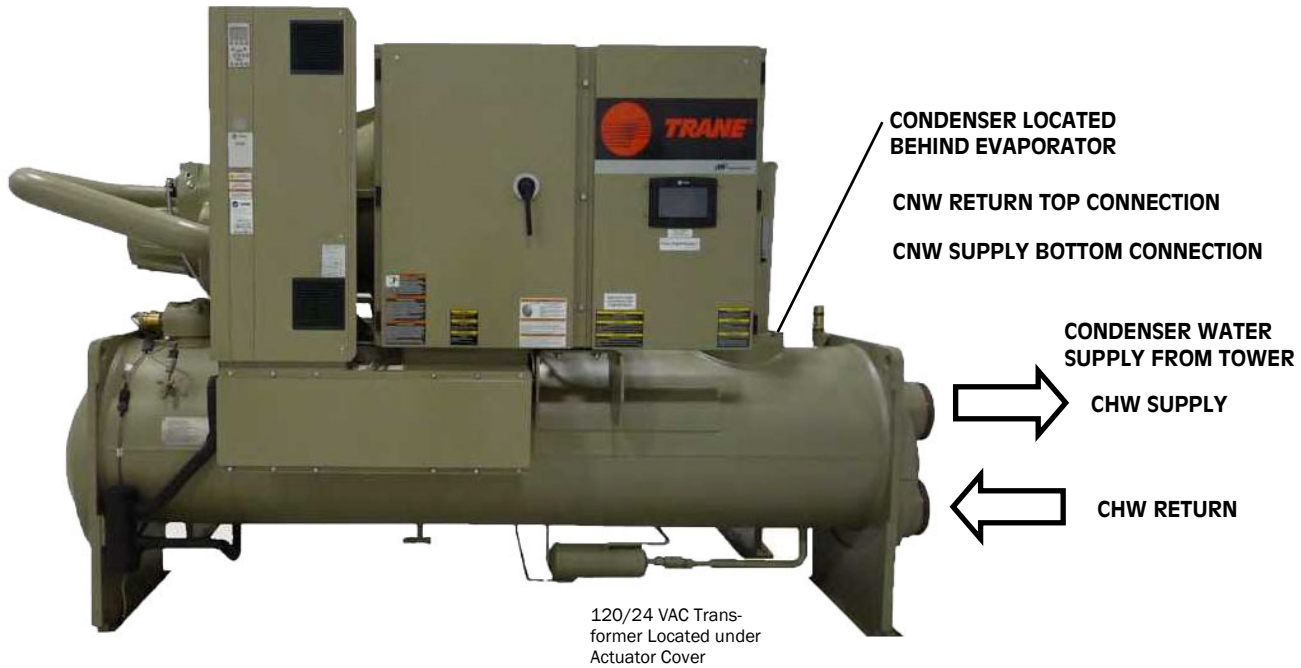
MFGRS OF AUTOMATED BUTTERFLY VALVES  
 3229 North L Street  
 Pensacola, FL 32505  
 PHN: (404) 351-8744 FAX: (404) 351-9340  
[WWW.WESLEYVALVE.COM](http://WWW.WESLEYVALVE.COM)

# HEAD PRESSURE VALVE WIRING FOR

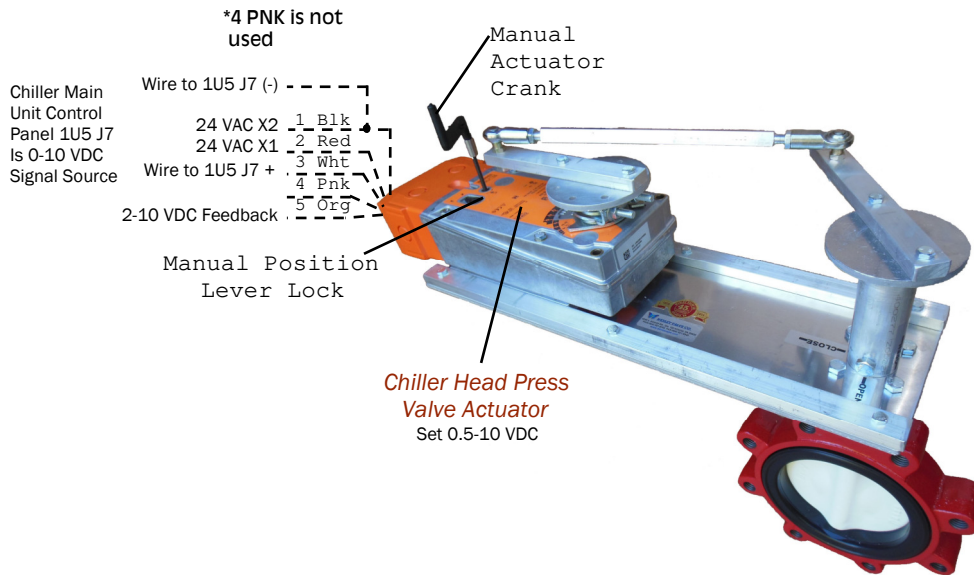


**TRANE**

# ROTARY CHILLERS



*Add 500 Ohm Resistor between 1 Blk & 3 Wht for Chiller 4-20 mA Signal*



## CONDENSOR WATER VALVE

*Locate Chiller Head Press Valve in Condenser Water Return Line*



**WESLEY VALVE CO.**

MFGRS OF AUTOMATED BUTTERFLY VALVES  
3229 North L Street  
Pensacola, FL 32505  
PHN: (404) 351-8744 FAX: (404) 351-9340  
[WWW.WESLEYVALVE.COM](http://WWW.WESLEYVALVE.COM)

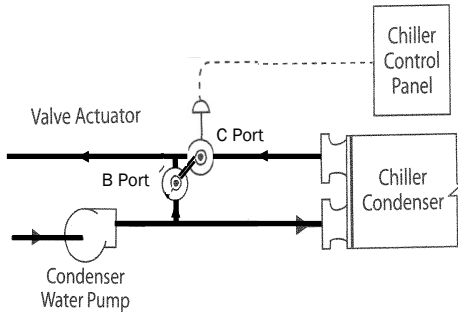
# HEAD PRESSURE VALVE WIRING FOR **TRANE** CENTRAVAC CHILLERS



CONDENSER WATER RETURN TO TOWER



CONDENSER WATER SUPPLY FROM TOWER

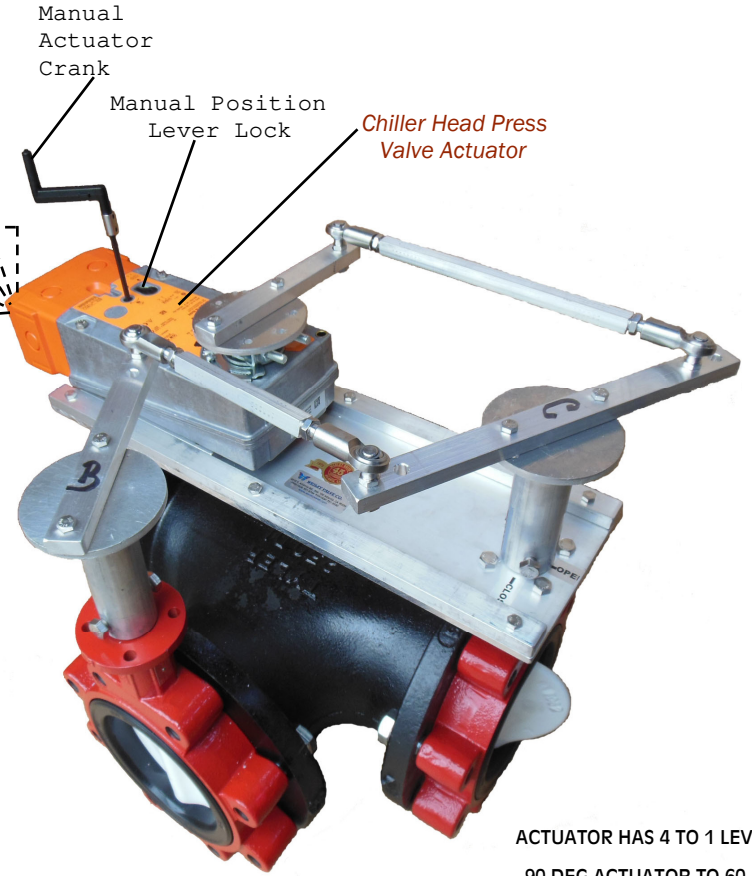


CORRECT 3-WAY VALVE PIPING

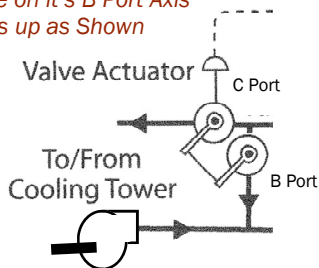
\*4 PNK is not used

Chiller Main Unit Control Panel J2 1A15 is 0-10 VDC Signal Source

- Wire to J2 1A15 (-)
  - 1 Blk
  - 2 Red
  - 3 Wht
  - 4 Pnk
  - 5 Org
- Wire to J2 1A15
- 2-10 VDC Feedback



*During Pipe Installation, DO NOT Spin the Valve on it's B Port Axis so that it ends up as Shown*



INCORRECT 3-WAY VALVE PIPING



**WESLEY VALVE CO.**

MFGRS OF AUTOMATED BUTTERFLY VALVES  
 3229 North L Street  
 Pensacola, FL 32505  
 PHN: (404) 351-8744 FAX: (404) 351-9340  
[WWW.WESLEYVALVE.COM](http://WWW.WESLEYVALVE.COM)

**CONDENSOR WATER VALVE**

ACTUATOR HAS 4 TO 1 LEVER  
 90 DEG ACTUATOR TO 60 DEG VALVE ROTATION OR A 1.5 TO 1 RATIO INCREASES THROTTLING DISC REPOSITIONS



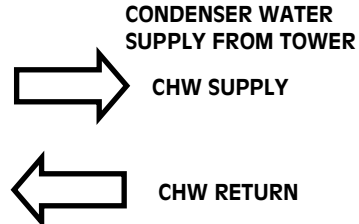
# HEAD PRESSURE VALVE WIRING FOR



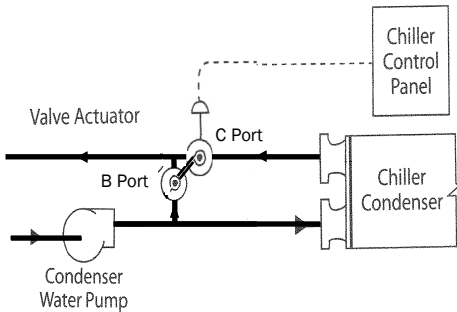
# TRANE RORARY CHILLERS



CONDENSER LOCATED BEHIND EVAPORATOR  
 CNW RETURN TOP CONNECTION  
 CNW SUPPLY BOTTOM CONNECTION



120/24 VAC Transformer Located under Actuator Cover



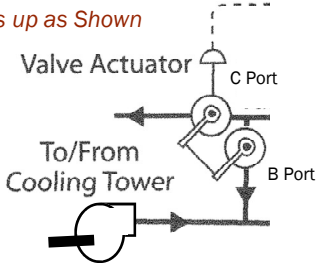
**CORRECT 3-WAY VALVE PIPING**

Chiller Main Unit Control Panel 1U5 J7 Is 0-10 VDC Signal Source

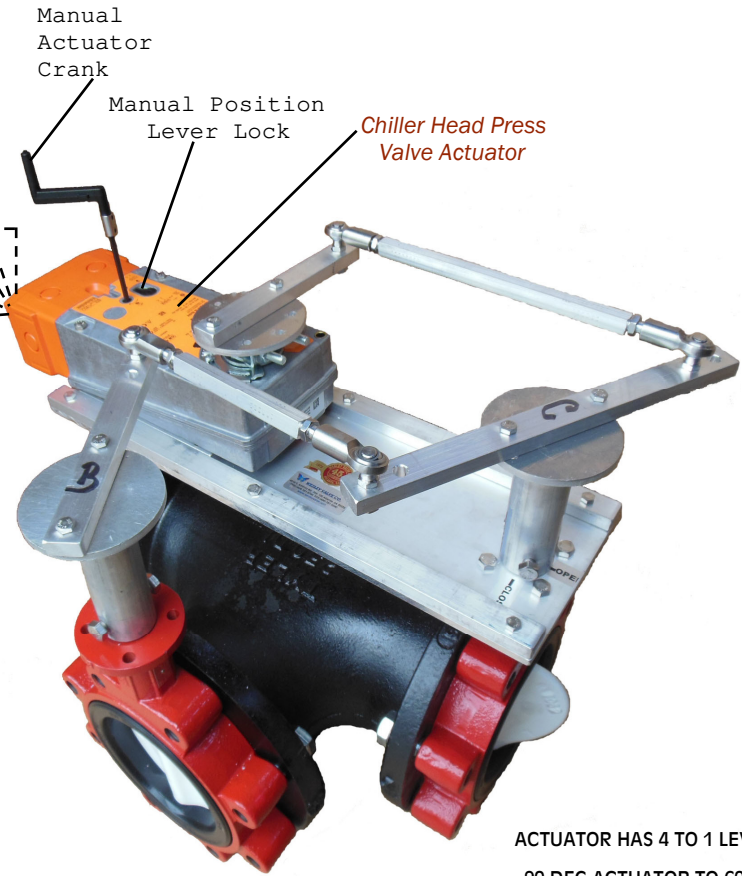
\*4 PNK is not used

- Wire to 1U5 J7 (-)
  - 1 Blk
  - 2 Red
  - 3 Wht
- Wire to 1U5 J7 (+)
  - 4 Pnk
  - 5 Grn
- 2-10 VDC Feedback

*During Pipe Installation, DO NOT Spin the Valve on it's B Port Axis so that it ends up as Shown*



**INCORRECT 3-WAY VALVE PIPING**



**CONDENSOR WATER VALVE**

ACTUATOR HAS 4 TO 1 LEVER  
 90 DEG ACTUATOR TO 60 DEG VALVE ROTATION OR A 1.5 TO 1 RATIO INCREASES THROTTLING DISC REPOSITIONS



## WESLEY VALVE CO.

MFGRS OF AUTOMATED BUTTERFLY VALVES  
 3229 North L Street  
 Pensacola, FL 32505  
 PHN: (404) 351-8744 FAX: (404) 351-9340  
[WWW.WESLEYVALVE.COM](http://WWW.WESLEYVALVE.COM)